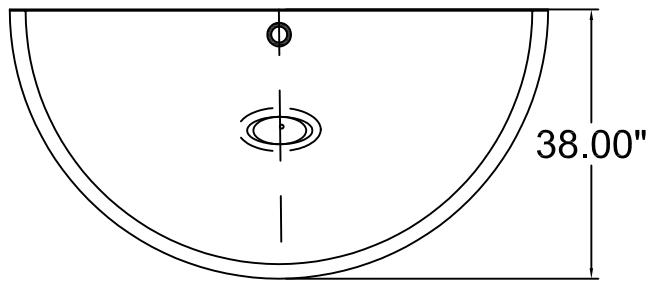
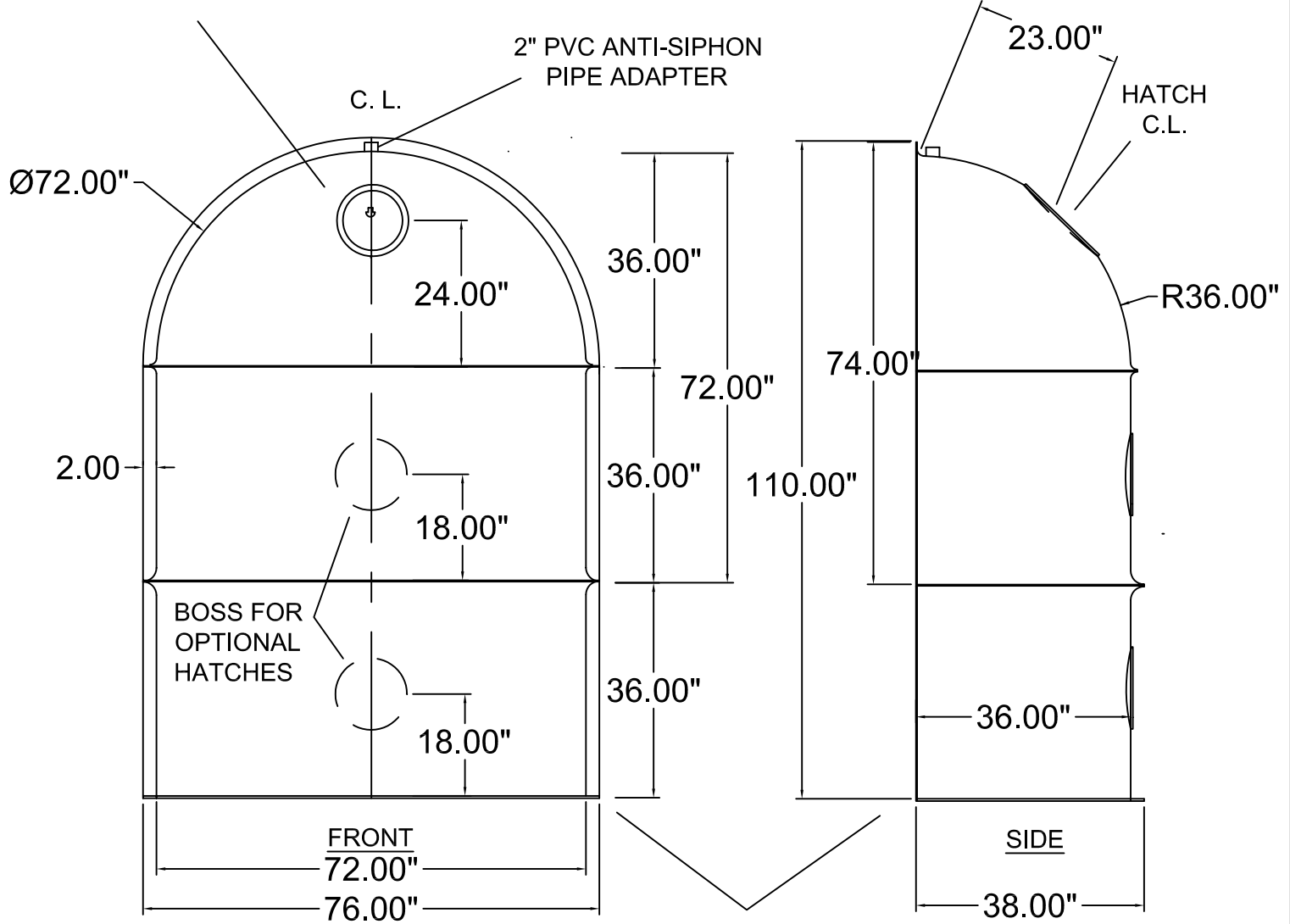


REMOVABLE WATERTIGHT
INSPECTION PORT, 10" OPENING

2" PVC ANTI-SIPHON
PIPE ADAPTER



PLAN

EXTRA BASE
FOR 72FTBB

U.S. PATENT #6126817
CANADA PATENT #2285146

NOTE: AVAILABLE AS 2PC UNIT(72FTB)
FOR PIPES UP TO 48" ID, OR 3 PC
UNIT(72FTBB) FOR PIPES UP TO 66" ID

<p>BMP, INC</p> <p>53 MT.ARCHER RD., LYME CT 06371 (800) 504-8008 FAX: (877) 434-3197</p>		
<p>DESCRIPTION</p> <p>72FTBB SNOOT OIL & DEBRIS STOP (TOP & 2 BASES)</p>	<p>DATE</p> <p>09/01/05</p>	<p>SCALE</p> <p>NONE</p>
	<p>DRAWING NUMBER</p> <p>72FTBB</p>	