

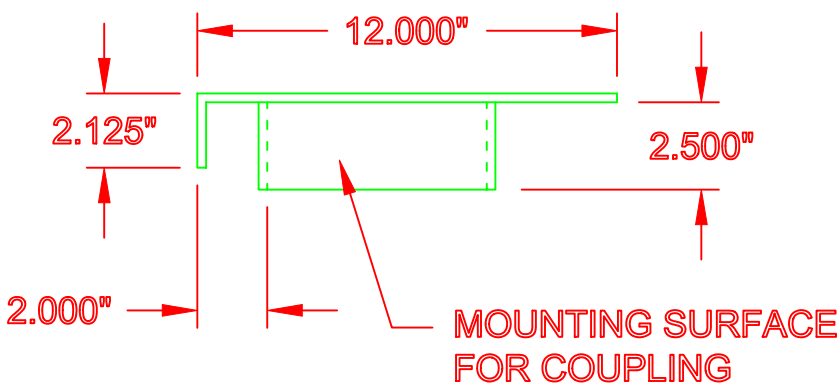
PLAN (RESTRICTOR PLATE ONLY)

GASKET

S.S. BOLTS

VARIES

6" X 6" FLEXIBLE P.V.C. COUPLING WITH STAINLESS STEEL CLAMPS (PROVIDED BY OTHERS)



SIDE (RESTRICTOR PLATE ONLY)

ASSEMBLY VIEW (WITH SNOOT ATTACHED)

U.S.PATENT #6126817 ADDITIONAL PATENTS PENDING

**BMP, INC.**

53 MT. ARCHER ROAD, LYME, CT. 06371  
(800) 504-8008 FAX: (860)434-3195

DESCRIPTION	DATE	SCALE
18F SNOOT WITH FLOW RESTRICTOR	11/29/99	NONE
DRAWING NUMBER		FR18F