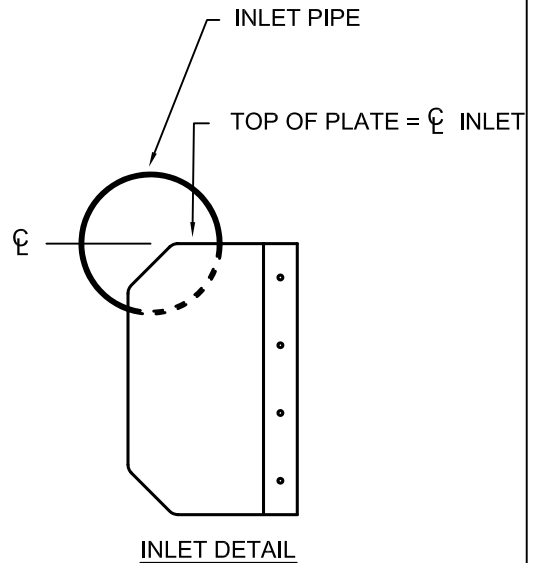


**NOTES:**

1. ALL FLOW DEFLECTORS FOR WATER QUALITY STRUCTURES SHALL BE AS MANUFACTURED BY:  
BEST MANAGEMENT PRODUCTS, INC.  
53 MT. ARCHER RD.  
LYME, CT 06371  
(860) 434-0277, (860) 434-3195 FAX  
TOLL FREE: (800) 504-8008 OR (888) 354-7585  
WEB SITE: [www.bmpinc.com](http://www.bmpinc.com)  
OR PRE-APPROVED EQUAL
2. ALL FLOW DEFLECTORS SHALL BE CONSTRUCTED OF 7 GA. STAINLESS STEEL GRADE T304
3. THE SIZE AND POSITION OF THE DEFLECTOR SHALL BE DETERMINED BY OUTLET PIPE SIZE AS PER MANUFACTURER'S RECOMMENDATION (SEE INLET DETAIL).
4. THE TOP OF THE DEFLECTOR ADJACENT TO THE INLET PIPE SHALL EXTEND DOWNWARD FROM A POSITION AT THE SAME ELEVATION AS THE CENTERLINE OF THE OUTLET PIPE. ADDITIONAL DEFLECTORS SHALL EXTEND DOWNWARD FROM THE STATIC WATER LEVEL.
5. THE SURFACE OF THE STRUCTURE WHERE THE DEFLECTOR IS MOUNTED SHALL BE FINISHED SMOOTH AND FREE OF LOOSE MATERIAL.
6. THE DEFLECTOR SHALL BE SECURELY ATTACHED TO STRUCTURE WALL WITH 3/8" STAINLESS STEEL BOLTS AS SUPPLIED BY MANUFACTURER. (INSTALLATION DETAIL)
7. INSTALLATION INSTRUCTIONS SHALL BE FURNISHED WITH MANUFACTURER SUPPLIED INSTALLATION KIT.  
INSTALLATION KIT SHALL INCLUDE:  
A. INSTALLATION INSTRUCTIONS  
B. 3/8" STAINLESS STEEL BOLTS  
C. ANCHOR SHIELDS



**SPECIFICATION FOR  
FLOW DEFLECTOR FOR  
WATER QUALITY STRUCTURES**

DESCRIPTION  
FLOW DEFLECTOR  
SPECIFICATION AND  
INSTALLATION  
(TYPICAL)

DATE  
**11/08/02**

SCALE  
**NONE**

DRAWING NUMBER  
**SP-FD**

THE SNOOT IS PROTECTED BY  
US Patent # 6126817