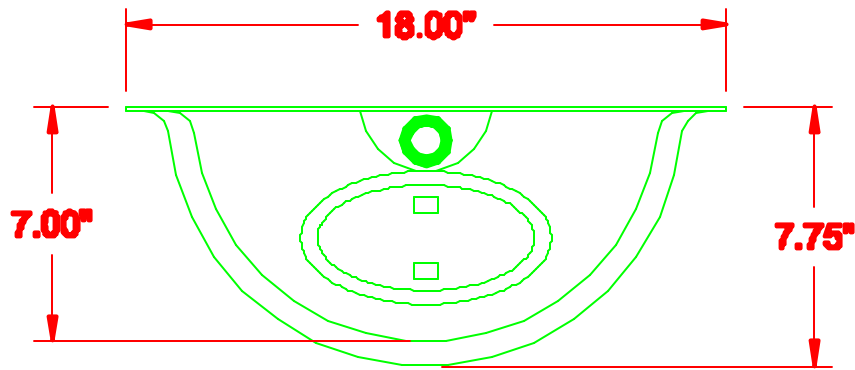


**FRONT**

**SIDE**



**PLAN**

US PATENT #6128617 ADDITIONAL PATENTS PENDING

<p><b>BMP, INC.</b>          63 MT. ARCHER ROAD, LYME, CT. 06371          (800) 604-8008 FAX: (860)434-3195</p>		
<p>DESCRIPTION</p> <p><b>12F SNOOT OIL &amp; DEBRIS STOP</b></p>	<p>DATE</p> <p><b>09/01/99</b></p>	<p>SCALE</p> <p><b>NONE</b></p>
		<p>DRAWING NUMBER</p> <p><b>12F</b></p>