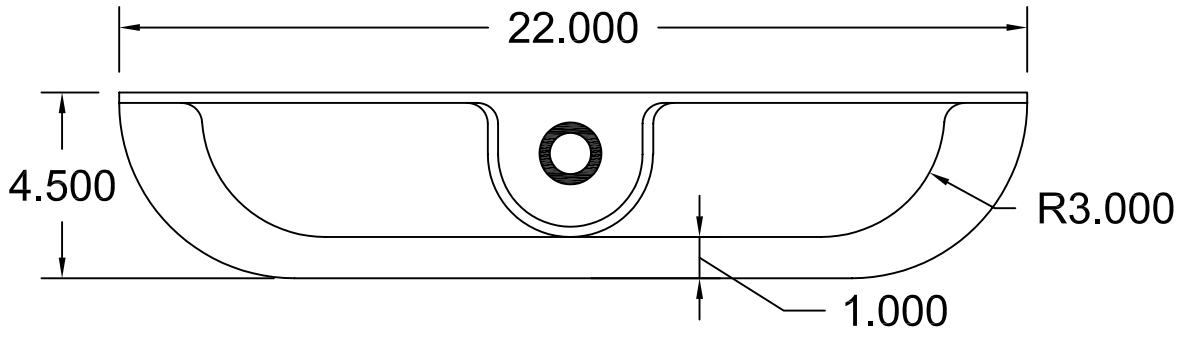


SIDE VIEW



TOP VIEW

US PATENT #6126817  
 CANADA PATENT# 2285146

**BMP, INC.**

53 MT. ARCHER ROAD, LYME, CT. 06371  
 (800) 504-8008 FAX: (860)434-3195

DESCRIPTION	DATE	SCALE
BMP LP318F LOW PROFILE SNOUT	04/02/07	NONE
DRAWING NUMBER <b>LP318F</b>		