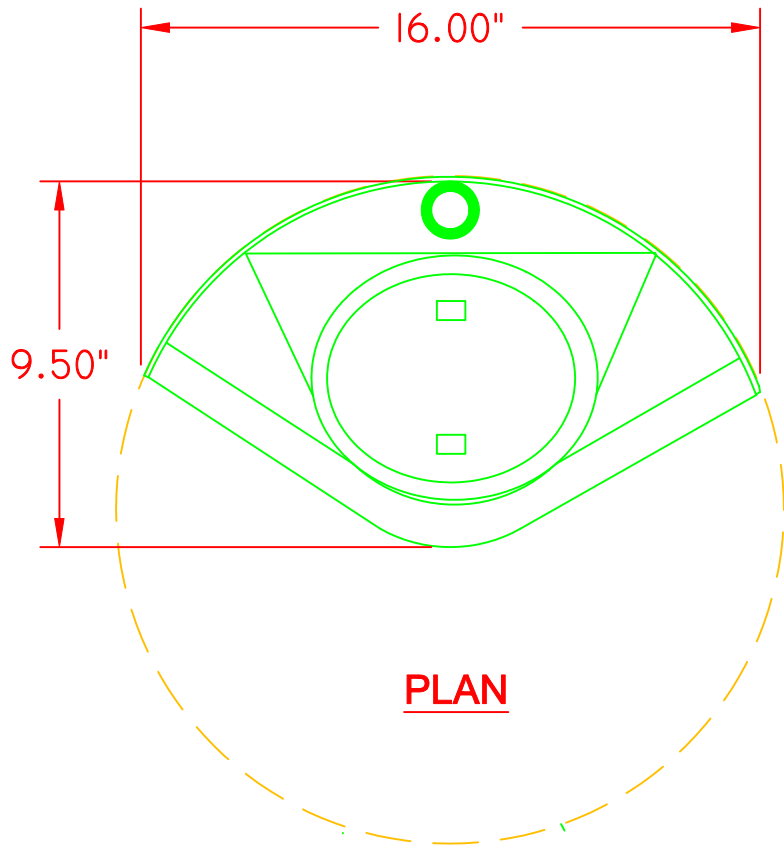


ALL FLANGES 1.5"

FOR INSTALLATION IN 18" SDR 35 PVC CATCHBASIN

NOTE: RECOMMENDED SUMP DEPTH IS 36". 24" SUMP MINIMUM.

US PATENT #6126817
CANADA PATENT #2285146



BMP, INC.		
53 MT. ARCHER ROAD, LYME, CT. 06371 (800) 504-8008 FAX: (860)434-3195		
DESCRIPTION NP 1218 SNOOT OIL & DEBRIS STOP	DATE 06/18/05	SCALE NONE
	DRAWING NUMBER NP 1218R	