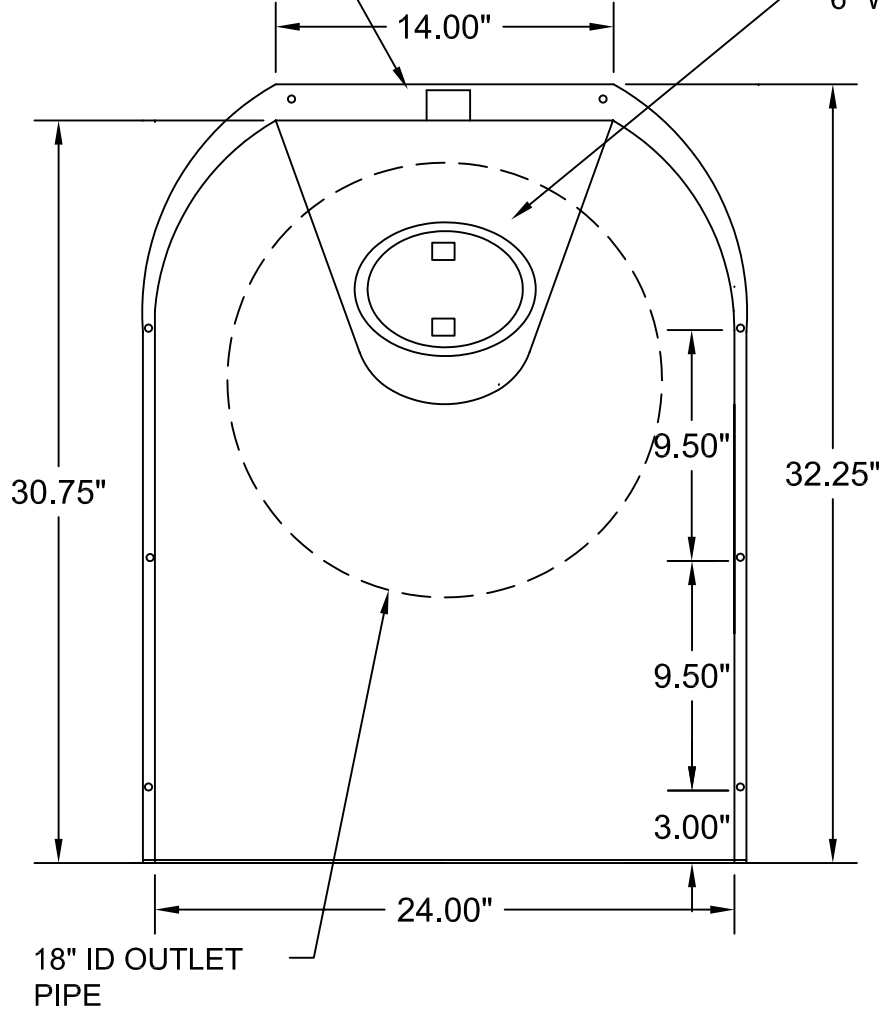
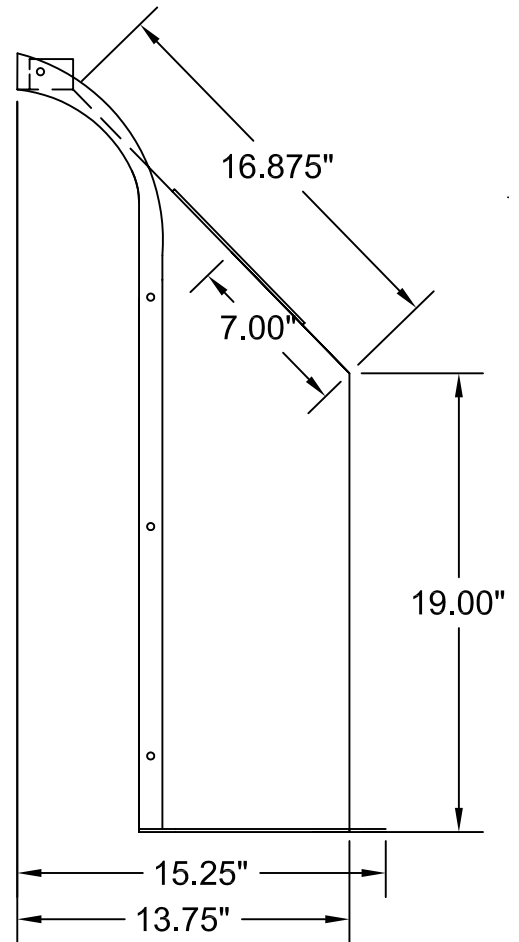


1" PVC ANTI-SIPHON  
PIPE ADAPTER

6" WATERTIGHT ACCESS PORT



FRONT



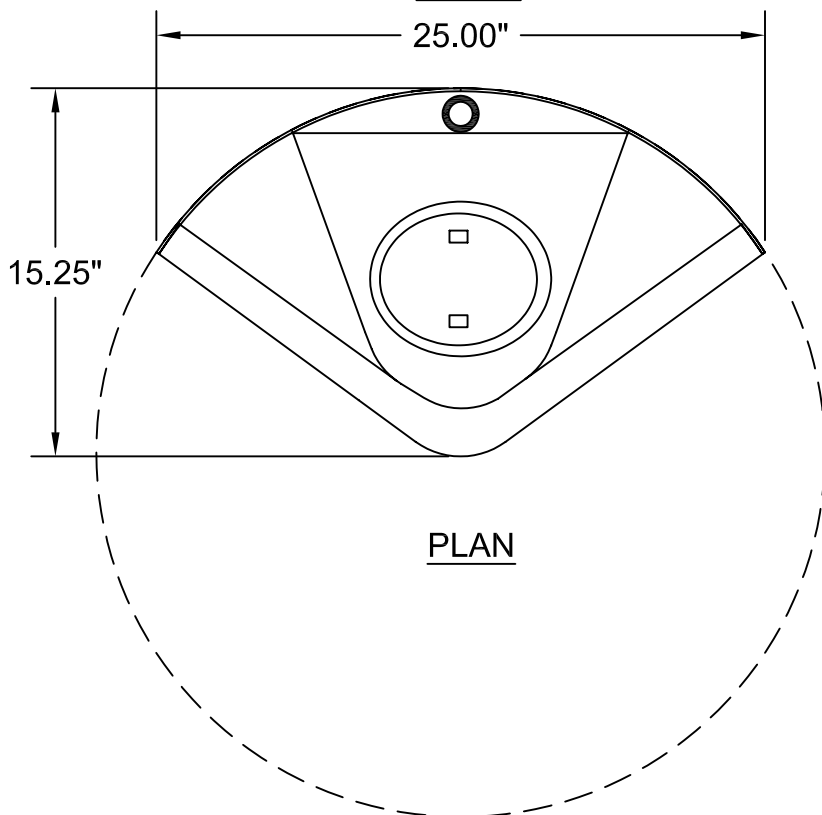
SIDE

ALL FLANGES 1.5"

FOR INSTALLATION IN  
30" SDR 35 PVC  
CATCHBASIN

NOTE:  
RECOMMENDED  
SUMP DEPTH IS 48".  
36" SUMP MINIMUM.

US PATENT #6126817  
CANADA PATENT #2285146



PLAN

**BMP, INC.**

53 MT. ARCHER ROAD, LYME, CT. 06371  
(800) 504-8008 FAX: (860)434-3195

DESCRIPTION	DATE	SCALE
NP1830R SNOUT OIL & DEBRIS STOP	08/08/05	NONE
DRAWING NUMBER <b>NP1830R</b>		