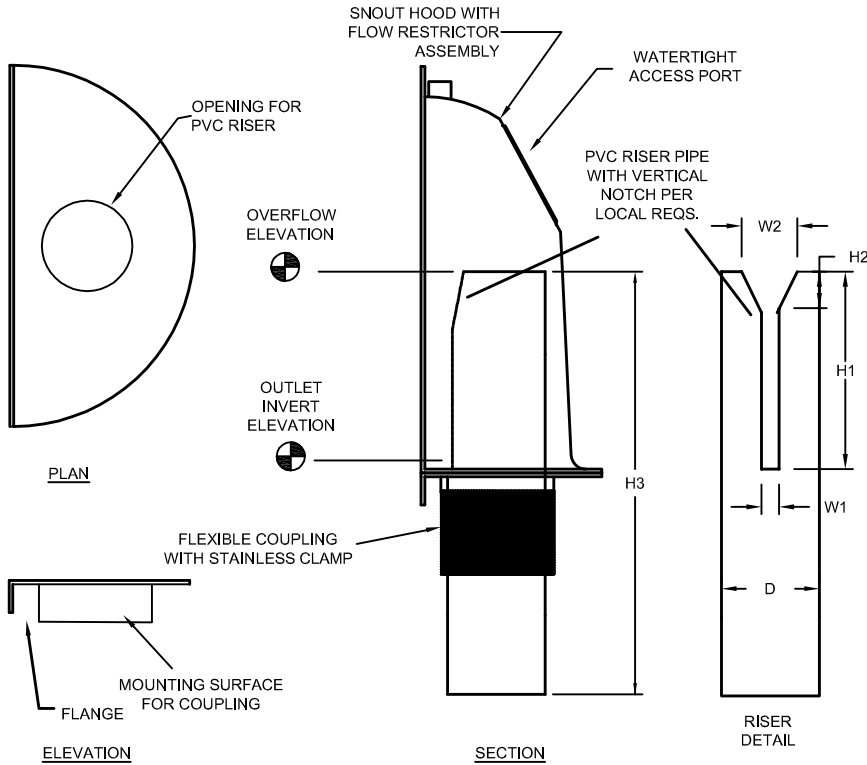
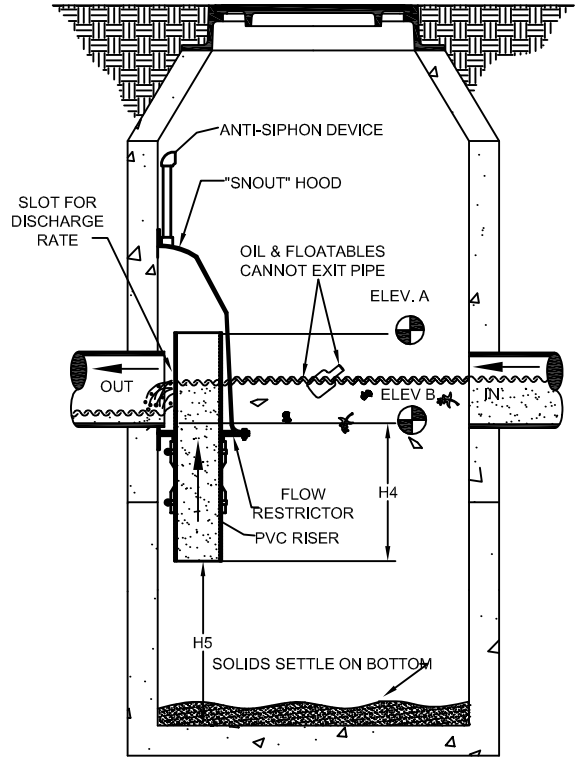


**FLOW RESTRICTOR DETAIL**



**TYPICAL INSTALLATION**



**NOTES:**

1. ALL FLOW RESTRICTOR HOODS FOR CATCH BASINS AND WATER QUALITY STRUCTURES SHALL BE AS MANUFACTURED BY:  
BEST MANAGEMENT PRODUCTS, INC.  
53 MT. ARCHER RD.  
LYME, CT 06371  
(860) 434-0277, (860) 434-3195 FAX  
TOLL FREE: (800) 504-8008 OR (888) 354-7585  
WEB SITE: [www.bmpinc.com](http://www.bmpinc.com)  
OR PRE-APPROVED EQUAL
2. ALL FLOW RESTRICTOR HOODS SHALL BE CONSTRUCTED OF A GLASS REINFORCED RESIN COMPOSITE WITH ISO GEL COAT EXTERIOR FINISH WITH A MINIMUM 0.125" LAMINATE THICKNESS.
3. ALL FLOW RESTRICTOR HOODS SHALL BE EQUIPPED WITH A WATERTIGHT ACCESS PORT, A MOUNTING FLANGE, AND AN ANTI-SIPHON VENT AS DRAWN.
4. THE SIZE AND CONFIGURATION OF THE DISCHARGE SLOT IN THE PVC RISER\* SHALL BE DETERMINED BY LOCAL REQUIREMENTS.
5. THE PVC RISER SHALL BE SECURED TO FLOW RESTRICTOR PLATE WITH A FLEXIBLE PIPE COUPLING WITH STAINLESS STEEL CLAMPS.
6. THE ANTI-SIPHON VENT SHALL EXTEND ABOVE FLOW RESTRICTOR HOOD BY A MINIMUM OF 12" AND A MAXIMUM OF 24" ACCORDING TO STRUCTURE CONFIGURATION.
7. THE SURFACE OF THE STRUCTURE WHERE THE HOOD AND FLOW RESTRICTOR ARE MOUNTED SHALL BE FINISHED SMOOTH AND FREE OF LOOSE MATERIAL.
9. THE FLOW RESTRICTOR HOOD SHALL BE SECURELY ATTACHED TO STRUCTURE WALL WITH 3/8" STAINLESS STEEL BOLTS AND SEALED TO WALL WITH OIL-RESISTANT GASKET AS SUPPLIED BY MANUFACTURER.
10. INSTALLATION INSTRUCTIONS SHALL BE FURNISHED WITH MANUFACTURER SUPPLIED INSTALLATION KIT.  
INSTALLATION KIT SHALL INCLUDE:  
A. INSTALLATION INSTRUCTIONS  
B. PVC ANTI-SIPHON VENT PIPE AND ADAPTER  
C. FLEXIBLE PIPE COUPLING FOR SDR 35 PVC WITH STAINLESS CLAMPS  
D. OIL-RESISTANT CRUSHED CELL FOAM GASKET WITH PSA BACKING  
E. 3/8" STAINLESS STEEL MOUNTING BOLTS  
F. STAINLESS STEEL BOLTS AND LOCK NUTS TO SECURE PLATE TO HOOD  
G. ANCHOR SHIELDS

**DIMENSION REQUIREMENTS**

- ⊕ ELEVATION A: \_\_\_\_\_ (OVERFLOW)
- ⊖ ELEVATION B: \_\_\_\_\_ (OUTLET INVERT)

**RISER DIMENSIONS**

- D= RISER ID: \_\_\_\_\_
- W1= SLOT WIDTH: \_\_\_\_\_
- W2= NOTCH WIDTH: \_\_\_\_\_
- H1= SLOT LENGTH: \_\_\_\_\_
- H2= NOTCH LENGTH: \_\_\_\_\_
- H3= RISER LENGTH: \_\_\_\_\_
- H4= SUBMERGE DEPTH: \_\_\_\_\_ (MIN. 18")
- H5= DEPTH TO BOTTOM: \_\_\_\_\_ (MIN. 24")

HOOD SIZE DETERMINED BY MANUFACTURER BASED ON RISER DIAMETER.

ADDITIONAL SKIRT PIECES AVAILABLE TO INCREASE HEIGHT OF HOOD.

U. S. Patent # 6126817

**FLOW RESTRICTOR SPECIFICATION FOR CATCH BASINS AND WATER QUALITY STRUCTURES**

DESCRIPTION FLOW RESTRICTOR SPECIFICATION AND INSTALLATION (TYPICAL)	DATE <b>09/25/00</b>	SCALE <b>NONE</b>
	DRAWING NUMBER <b>SP-FR</b>	

\*PVC RISER PIPE SHALL BE SDR 35, AND MAY BE PURCHASED SEPARATELY AND CUT PER LOCAL REQUIREMENTS.