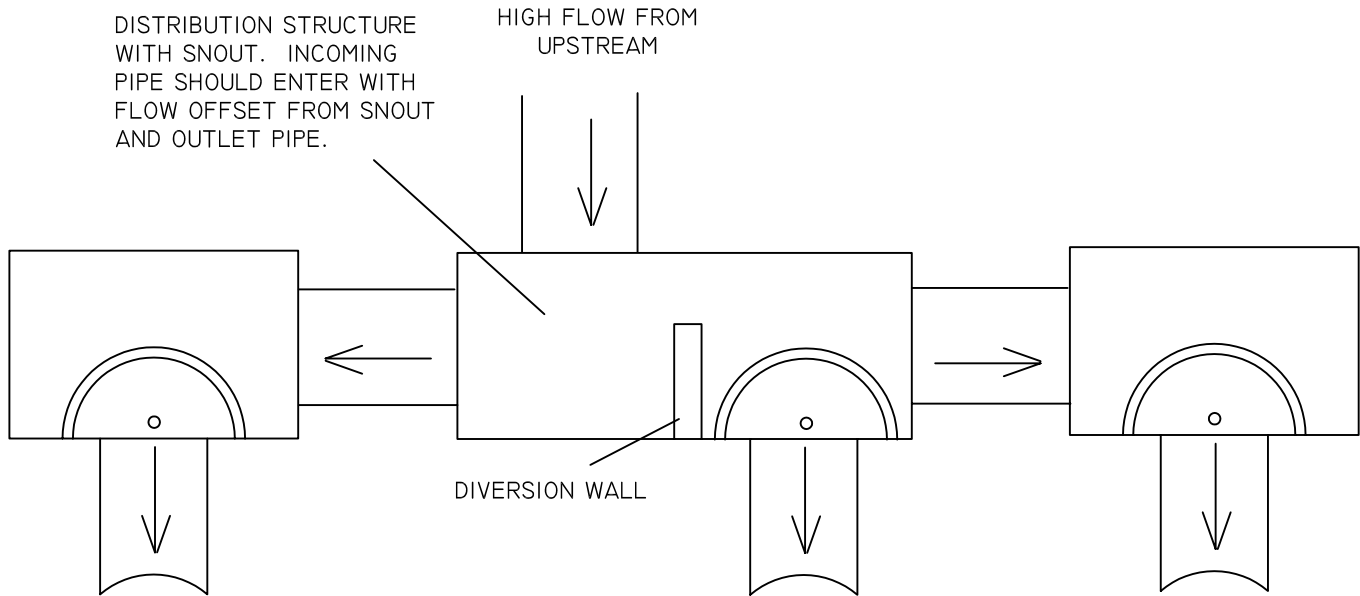


HIGH FLOW SNOOT DISTRIBUTION OUTLET STRUCTURE SCHEMATIC



NOT TO SCALE

DESIGN NOTES:

1. HIGH FLOW FROM UPSTREAM SHOULD NOT ENTER A STRUCTURE DIRECTLY ACROSS FROM SNOOT.
2. DIVERSION WALL SHOULD EXTEND FROM WALL OPPOSITE INLET ONE FOOT PAST END OF SNOOT.
3. DISTRIBUTION STRUCTURE WITH SNOOT SHOULD BE AT LEAST TWICE AS WIDE AS SNOOT PLUS ONE EXTRA FOOT.
4. DEEP SUMP RECOMMENDED (2.5X INLET PIPE ID MIN.)

BMP, INC.

53 MT. ARCHER RD.

LYME CT. 06371

(800) 504-8008 (888) 354-7585

HIGH FLOW
OUTLET WITH
OFFSET

DATE:
09/09

DRAWING NUMBER
HFO-OFFSET

SNOUT U.S. PATENT #6126817 ADDITIONAL PATENTS PENDING