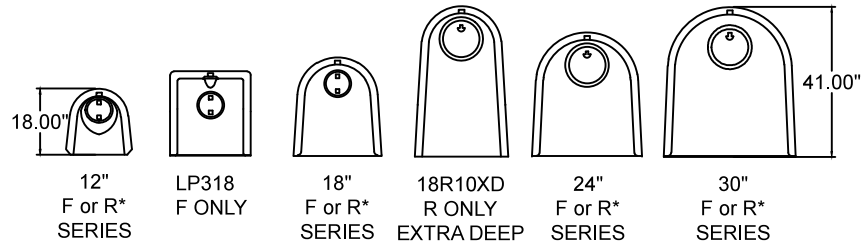
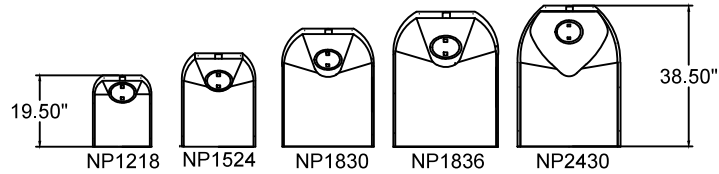
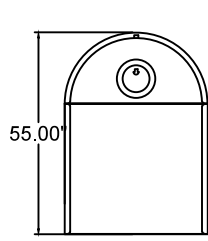


SNOUT RELATIVE SIZE COMPARISON

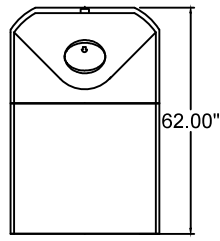
NP SERIES SNOUTS FOR PVC STRUCTURES



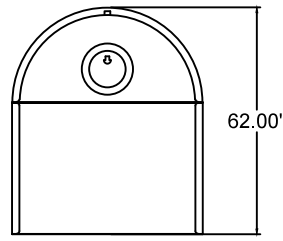
BEST MANAGEMENT PRODUCTS, INC., LYME, CT
800-504-8008 877-434-3197 FAX WWW.BMPINC.COM



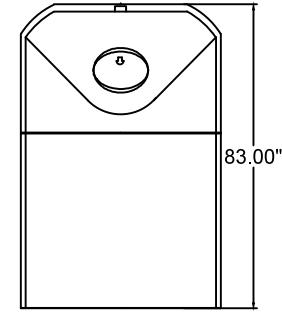
36F 2 PC
FLAT
ONLY



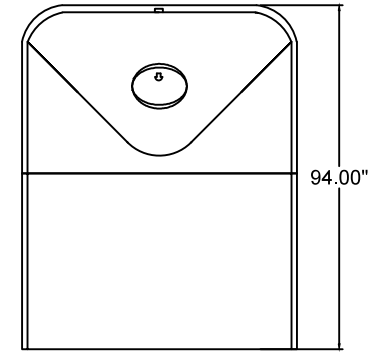
42R/60 2 PC
ROUND ONLY
(FOR 60" DIAM. STRUCTURE)



48F 2 PC
FLAT
ONLY



52RTB/72 OR 52R/TB 84 2 PC
ROUND ONLY
(FOR 72" OR 84" DIAM.
STRUCTURES)



72R/96 2 PC
ROUND ONLY
(FOR 96" DIAM. STRUCTURE)

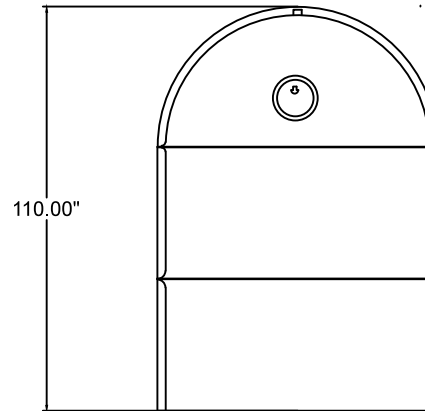
*** R SERIES STRUCTURE INSTALLATION NOTE:**

- 12R- FITS 36-48" DIAM.
- 18R- FITS 48-60" DIAM.
- 24R- FITS 48-60" DIAM.
- 30R- FITS 60-72" DIAM.
- 30R96- FITS 84-96" DIAM.
- 42RTB/60- FITS 60" DIAM. ONLY
- 52RTB/72- FITS 72" DIAM. ONLY
- 52RTB/84- FITS 84" DIAM. ONLY
- 72RTB/96- FITS 96" DIAM. ONLY
- NP1218- FITS 18" DIAM. ONLY
- NP1524- FITS 24" DIAM. ONLY
- NP1830- FITS 30" DIAM. ONLY
- NP1836- FITS 36-42" DIAM
- NP2430- FITS 30" DIAM. ONLY

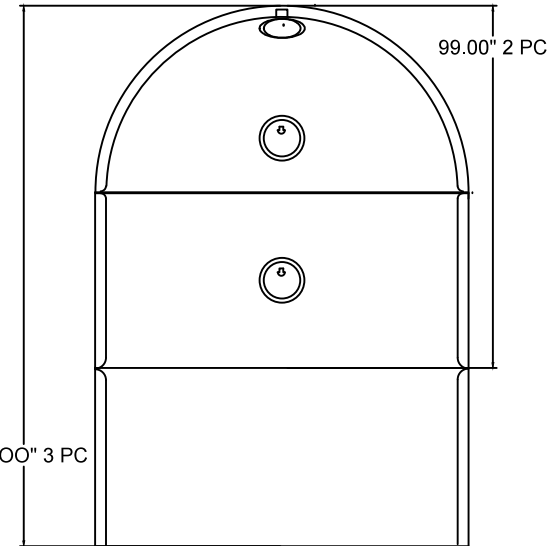
MAX. PIPE ID SIZE RECOMMENDATION:**

- LP318 12" PIPE, *LOW FLOW ONLY*
- 12" SNOUT- 10" PIPE; 18" SNOUT- 15" PIPE;
- 24" SNOUT- 18" PIPE; 30" SNOUT- 24" PIPE;
- 36F SNOUT- 30" PIPE; 42R SNOUT- 30" PIPE; 48F
- SNOUT- 36" PIPE; 52R SNOUT- 42" PIPE; 72"
- SNOUT- 60" PIPE; 96F SNOUT- 72" PIPE

****PIPE SHOULD HAVE SMALLER OD THAN NOMINAL SNOUT SIZE REGARDLESS OF PIPE ID OR PIPE MUST BE FINISHED FLUSH TO STRUCTURE WALL**



72FTB 2 PC
FLAT ONLY
72FTBB 3 PC



96FTB 2 PC
FLAT ONLY
96FTBB 3PC