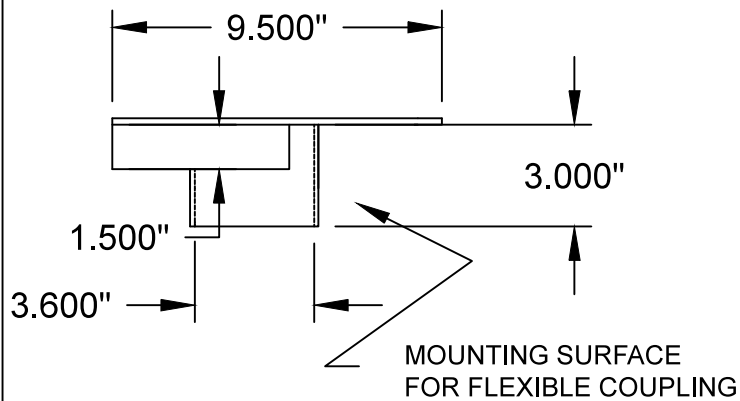
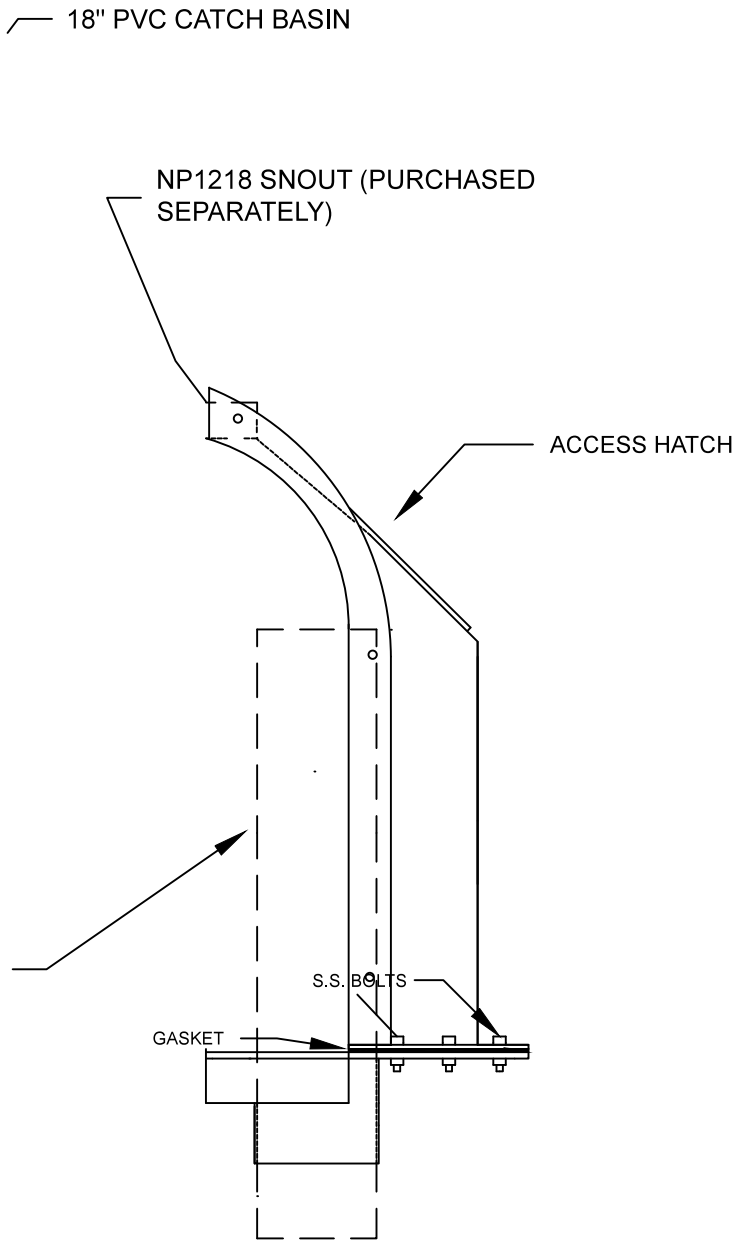


PLAN (RESTRICTOR PLATE ONLY)

OPTIONAL 3" PVC RISER PIPE
CONNECT TO FLOW RESTRICTOR
PLATE WITH FLEXIBLE COUPLING
(BY OTHERS)



SIDE (RESTRICTOR PLATE ONLY)



ASSEMBLY VIEW
(WITH NP SNOUT ATTACHED)

U.S. PATENT #6126817 ADDITIONAL PATENTS PENDING

BMP, INC.

53 MT. ARCHER ROAD, LYME, CT. 06371
(800) 504-8008 FAX: (860) 434-3195

DESCRIPTION NP1218 SNOUT FLOW RESTRICTOR	DATE 10/12/05	SCALE NONE
	DRAWING NUMBER FRNP1218	