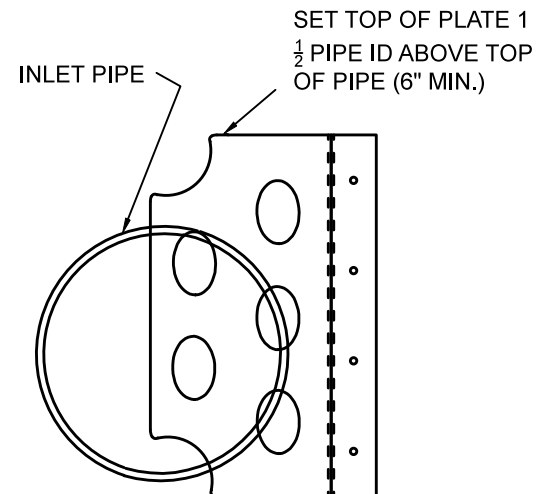


NOTES:

- ALL ANTI-TURBULENCE PLATES (TURBO PLATES) FOR WATER QUALITY STRUCTURES SHALL BE AS MANUFACTURED BY:  
BEST MANAGEMENT PRODUCTS, INC.  
9 MATTHEWS DRIVE UNITS A1-A2  
EAST HADDAM, CT 06423  
(860) 434-0277, (877) 434-3197 FAX  
TOLL FREE: (800) 504-8008  
WEB SITE: [www.bmpinc.com](http://www.bmpinc.com)  
OR PRE-APPROVED EQUAL
- ALL ANTI-TURBULENCE PLATES SHALL BE CONSTRUCTED OF 7-10 GA. STAINLESS STEEL GRADE T304
- THE SIZE AND POSITION OF THE PLATES SHALL BE DETERMINED BY OUTLET PIPE SIZE AS PER MANUFACTURER'S RECOMMENDATION (SEE INLET DETAIL).
- THE TOP OF PLATE 1 ADJACENT TO THE INLET PIPE SHALL BE SET AT  $\frac{1}{2}$  PIPE ID (OR MIN OF 6") ABOVE THE TOP OF THE INLET PIPE. THE TOP OF PLATE 2 SHALL EXTEND DOWNWARD FROM THE HORIZONTAL CENTERLINE OF THE INLET PIPE. THE TOP OF PLATE 3 SHALL EXTEND DOWNWARD FROM THE INLET PIPE INVERT.
- THE SURFACE OF THE STRUCTURE WHERE THE PLATES ARE MOUNTED SHALL BE FINISHED SMOOTH AND FREE OF LOOSE MATERIAL.
- THE PLATES SHALL BE SECURELY ATTACHED TO STRUCTURE WALL WITH  $\frac{3}{8}$ " STAINLESS STEEL BOLTS AS SUPPLIED BY MANUFACTURER. (SEE INSTALLATION DETAIL)
- THE STRUCTURE IMMEDIATELY UPSTREAM OF ANTI-TURBULENCE PLATE-EQUIPPED STRUCTURE SHALL BE EQUIPPED WITH SUMP AND BMP SNOUT HOOD PER MANUFACTURER'S RECOMMENDATION.
- INSTALLATION INSTRUCTIONS SHALL BE FURNISHED WITH MANUFACTURER SUPPLIED INSTALLATION KIT.  
INSTALLATION KIT SHALL INCLUDE:  
A. INSTALLATION INSTRUCTIONS  
B.  $\frac{3}{8}$ "x 3" STAINLESS STEEL WEDGE ANCHORS

THE SNOUT IS PROTECTED BY  
US Patent # 6126817, 7857966, 7951294,  
8512556 TURBO PLATE PATENT  
PENDING



INLET DETAIL

SPECIFICATION FOR  
ANTI-TURBULENCE PLATE FOR  
WATER QUALITY STRUCTURES

DESCRIPTION  
TURBO PLATE  
SPECIFICATION AND  
INSTALLATION  
(TYPICAL F)

DATE  
01/27/19

SCALE  
NONE

DRAWING NUMBER  
SP-TPF