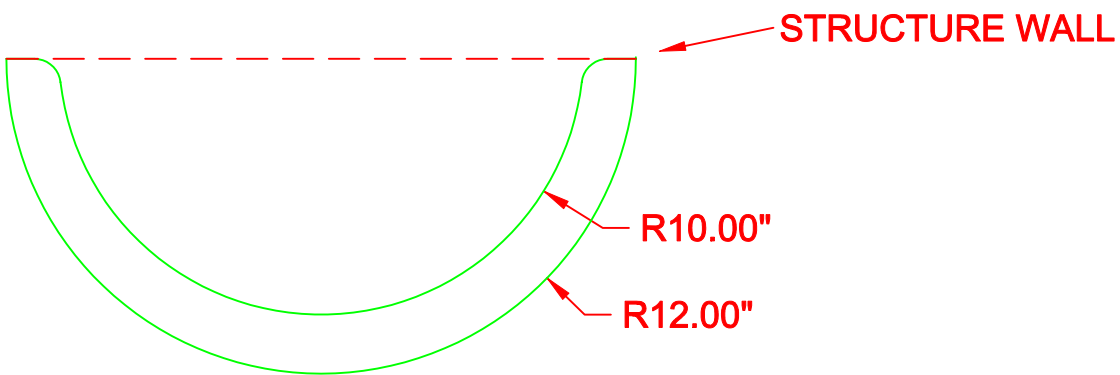
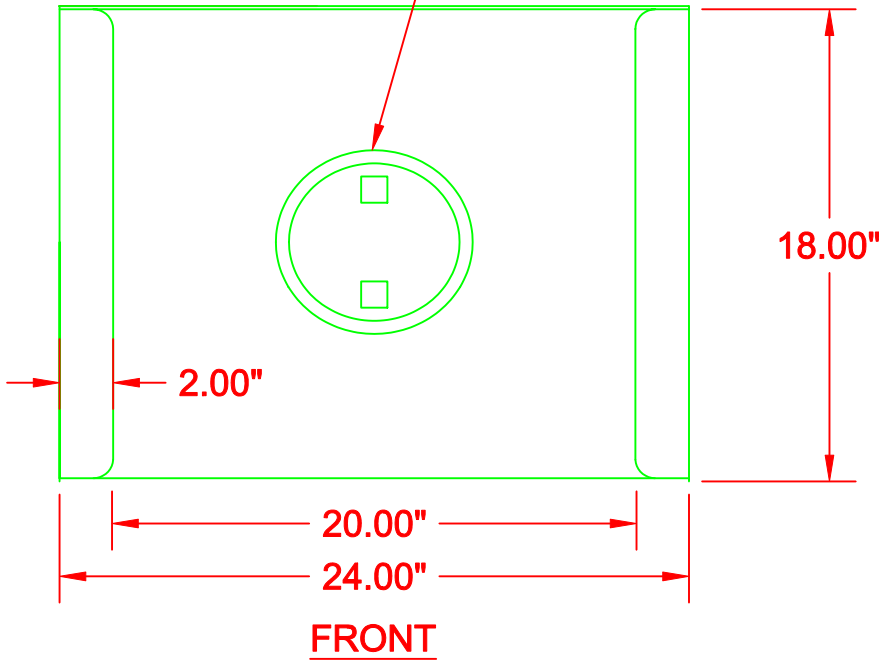


REMOVABLE WATERTIGHT  
ACCESS PORT, 6" OPENING  
(OPTIONAL)



U.S. PATENT# 6126817  
FOREIGN PATENTS PENDING

**BMP, INC.**

53 MT. ARCHER ROAD, LYME, CT. 06371  
(800) 504-8008 FAX: (860)434-3195

DESCRIPTION 18F RISER SECTION WITH HATCH	DATE 03/15/02	SCALE NONE
	DRAWING NUMBER 18FRSH	