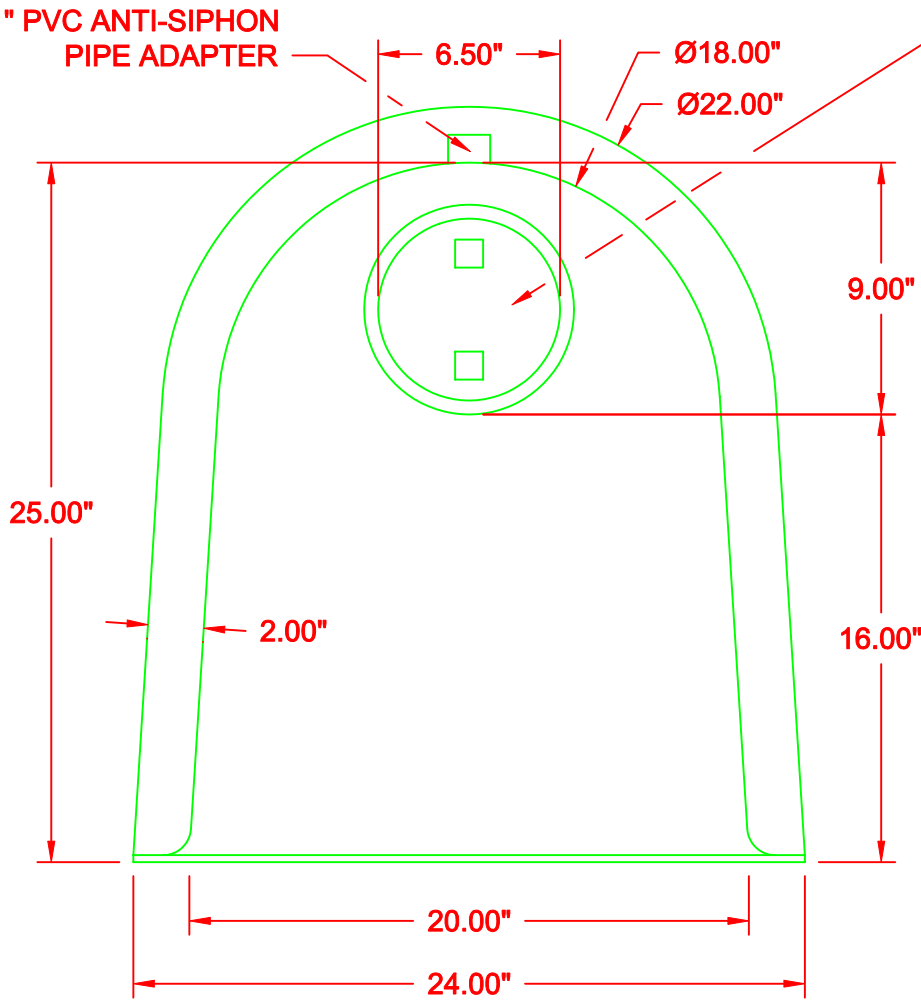


1" PVC ANTI-SIPHON  
PIPE ADAPTER

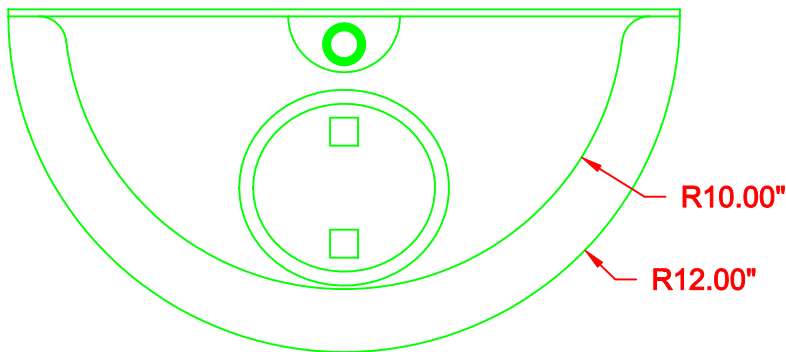


FRONT

REMOVABLE WATERTIGHT  
ACCESS PORT, 6" OPENING



SIDE



PLAN

US PATENT #6126817 ADDITIONAL PATENTS PENDING

**BMP, INC.**

53 MT. ARCHER ROAD, LYME, CT. 06371  
(800) 504-8008 FAX: (860)434-3195

| DESCRIPTION                    | DATE                  | SCALE |
|--------------------------------|-----------------------|-------|
| 18F SNOUT OIL<br>& DEBRIS STOP | 09/14/99              | NONE  |
|                                | DRAWING NUMBER<br>18F |       |