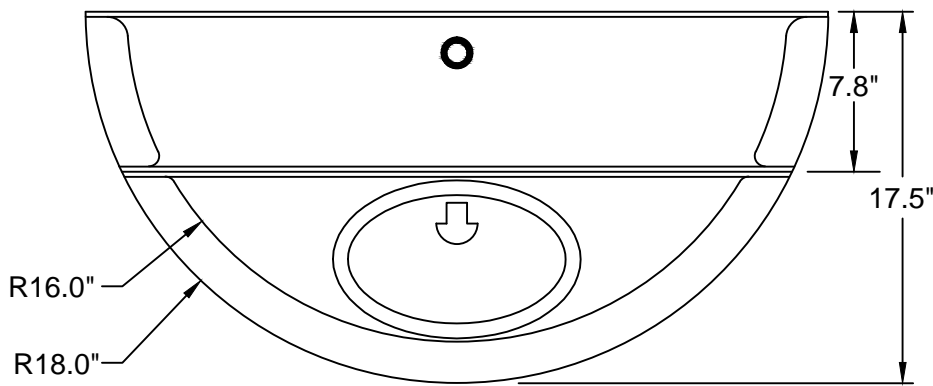


FRONT

SIDE



PLAN

- NOTES:
- FOR FLAT WALLED STRUCTURES, MAX OUTLET PIPE OD=29.9"
  - 4 PIECE SNOOT DESIGNED TO FIT THROUGH A 24" ROUND OPENING
  - INSTALLATION KIT INCLUDES HARDWARE AND GASKETS FOR SNOOT ASSEMBLY AND INSTALLATION IN STRUCTURE
  - RECOMMENDED MIN. SUMP DEPTH 2.5 TO 3X OUTLET PIPE I.D.

U.S.PATENT #6126817 ADDITIONAL PATENTS PENDING

**BMP, INC.**

53 MT. ARCHER ROAD, LYME, CT. 06371  
 (800) 504-8008 FAX: (860)434-3195

DESCRIPTION <b>30F SPLIT SNOOT</b>	DATE 09-13-16	SCALE NONE
	DRAWING NUMBER 30F SPLIT	