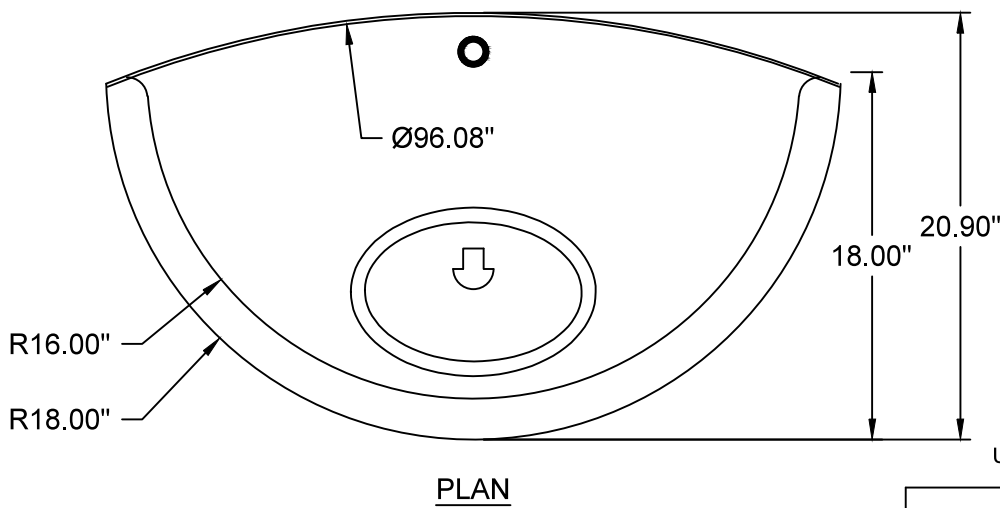
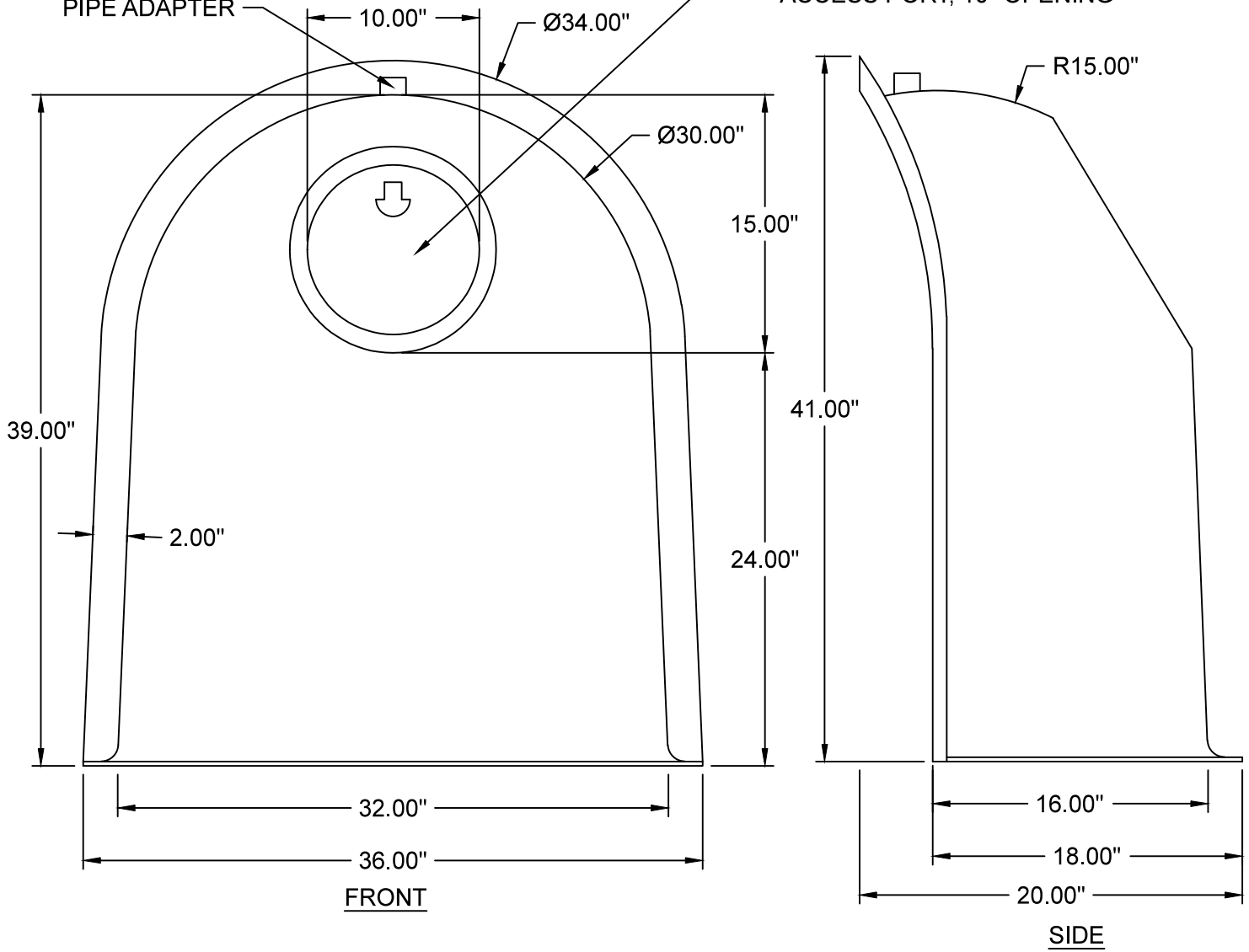


1" PVC ANTI-SIPHON  
PIPE ADAPTER

REMOVABLE WATERTIGHT  
ACCESS PORT, 10" OPENING



HEAVY DUTY SNOOT WITH  
1708 BIAXIAL FIBERGLASS  
REINFORCEMENT

U.S. PATENT #6126817 ADDITIONAL PATENTS PENDING

DESIGNED TO FIT 96"  
DIAM. STRUCTURES

**RECOMMENDED MIN.  
SUMP DEPTH 2.5 TO 3X  
OUTLET PIPE I.D.**

<b>BMP, INC.</b>		
53 MT. ARCHER ROAD, LYME, CT. 06371 (800) 504-8008 FAX: (860)434-3195		
DESCRIPTION	DATE	SCALE
<b>30R-96HD SNOOT OIL &amp; DEBRIS STOP</b>	07/04/16	NONE
	DRAWING NUMBER <b>30R-96HD</b>	