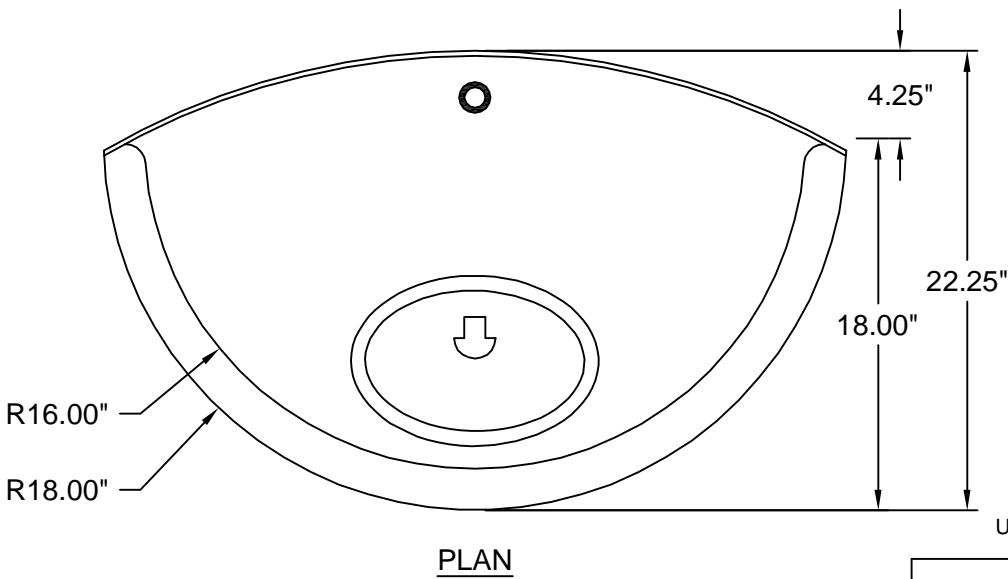
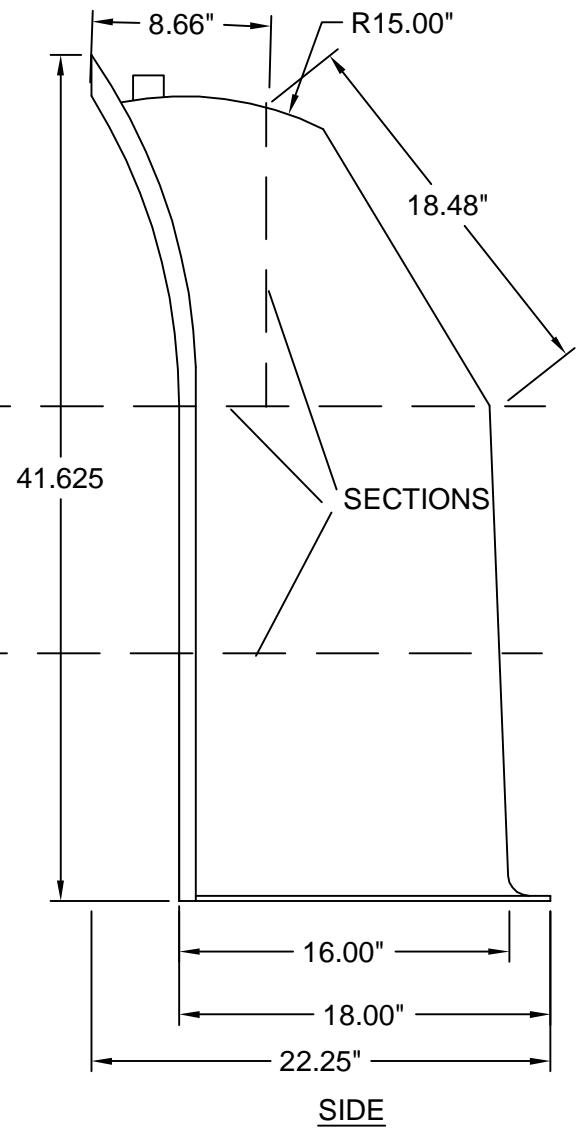
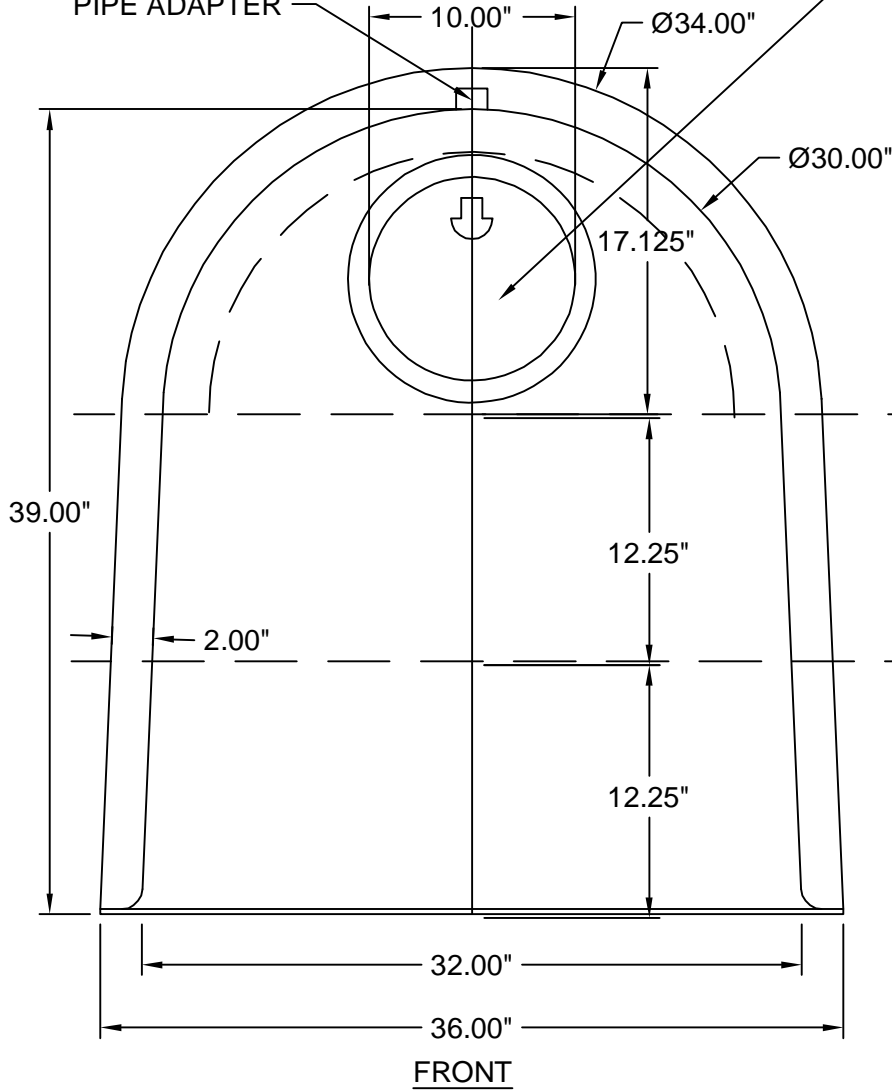


1" PVC ANTI-SIPHON
PIPE ADAPTER

REMOVABLE WATERTIGHT
ACCESS PORT, 10" OPENING



U.S.PATENT #6126817 ADDITIONAL PATENTS PENDING

DESIGNED TO FIT
60"-72" DIAM.
STRUCTURES
RECOMMENDED MIN.
SUMP DEPTH 2.5 TO 3X
OUTLET PIPE I.D.

BMP, INC.

53 MT. ARCHER ROAD, LYME, CT. 06371
(800) 504-8008 FAX: (860)434-3195

DESCRIPTION	DATE	SCALE
30R SNOUT SPLIT DRAFT	2-05-15	NONE