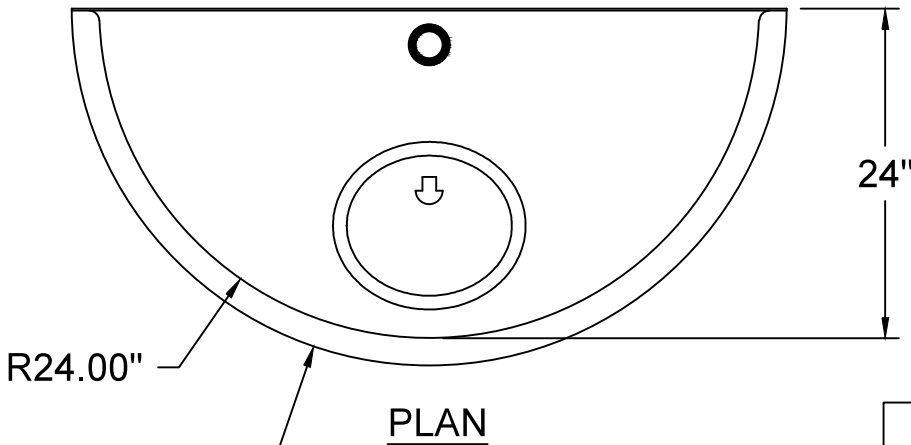
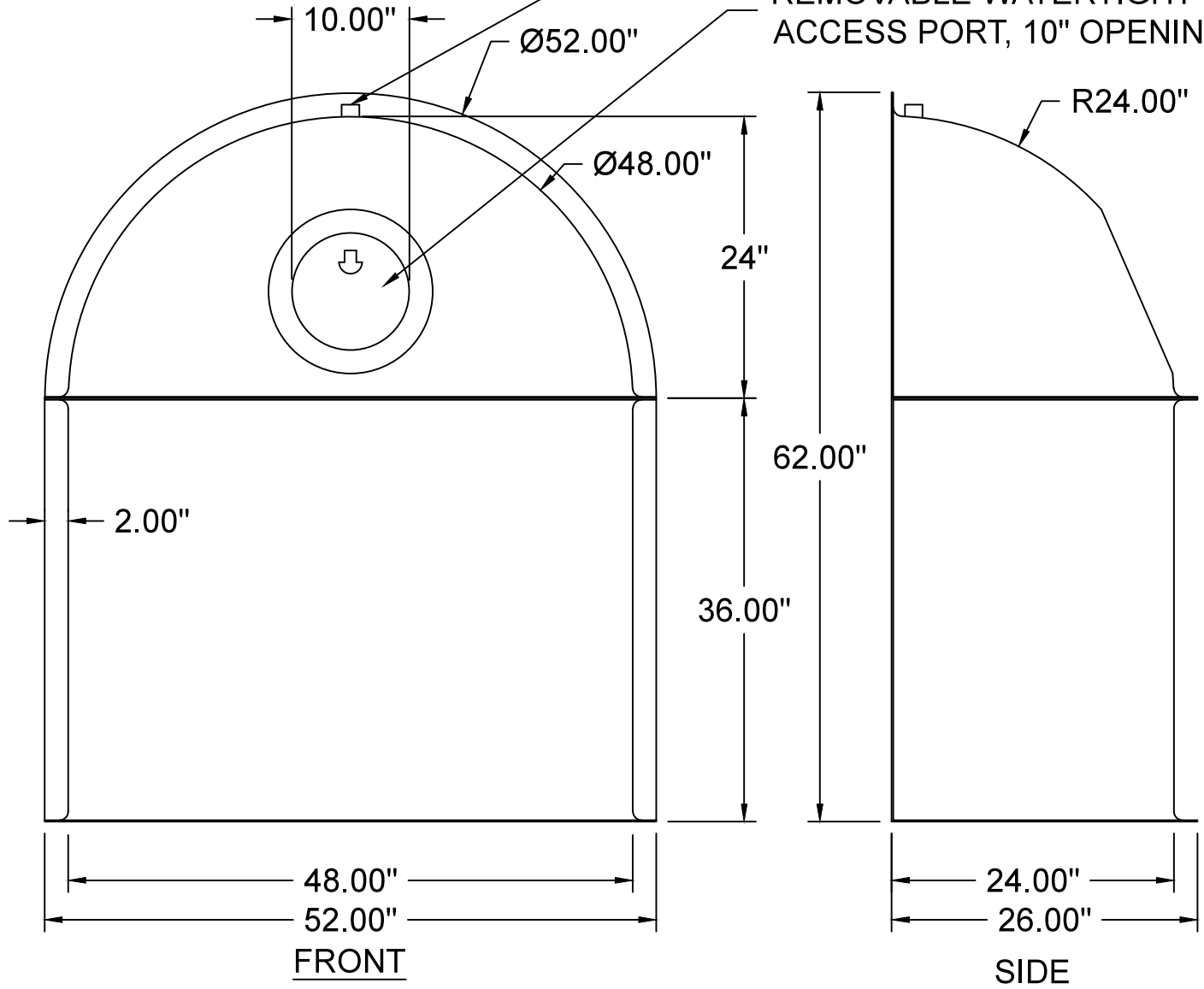


1" PVC ANTI-SIPHON
PIPE ADAPTER

REMOVABLE WATERTIGHT
ACCESS PORT, 10" OPENING



R26.00"

HEAVY DUTY SNOOT WITH
1708 BIAXIAL FIBERGLASS
REINFORCEMENT

U.S. PATENT #6126817 ADDITIONAL PATENTS PENDING

BMP, INC.

53 MT. ARCHER ROAD, LYME, CT. 06371
(800) 504-8008 FAX: (860)434-3195

DESCRIPTION	DATE	SCALE
48FTB HD SNOOT OIL & DEBRIS STOP	09/01/15	NONE
DRAWING NUMBER		48FTB HD