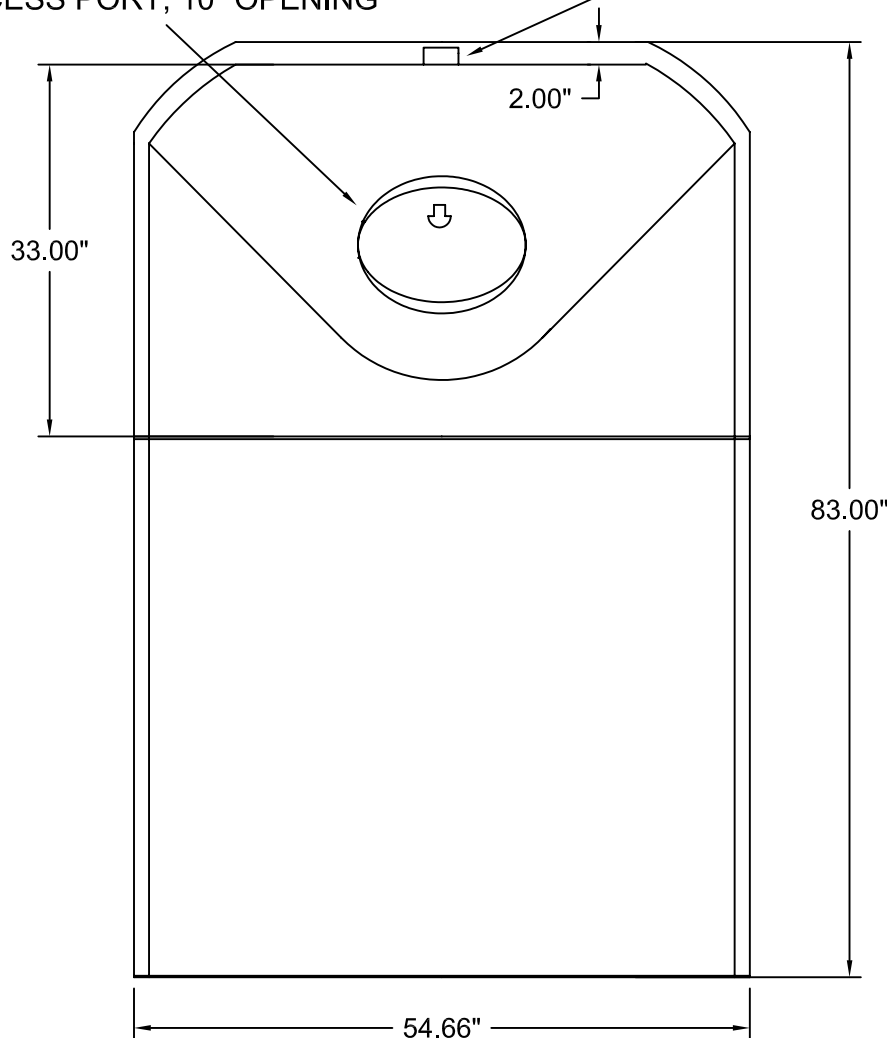
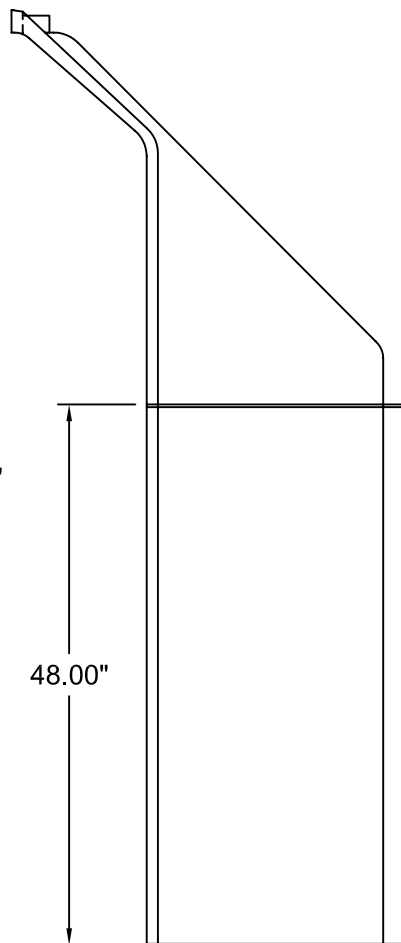


REMOVABLE WATERTIGHT
ACCESS PORT, 10" OPENING

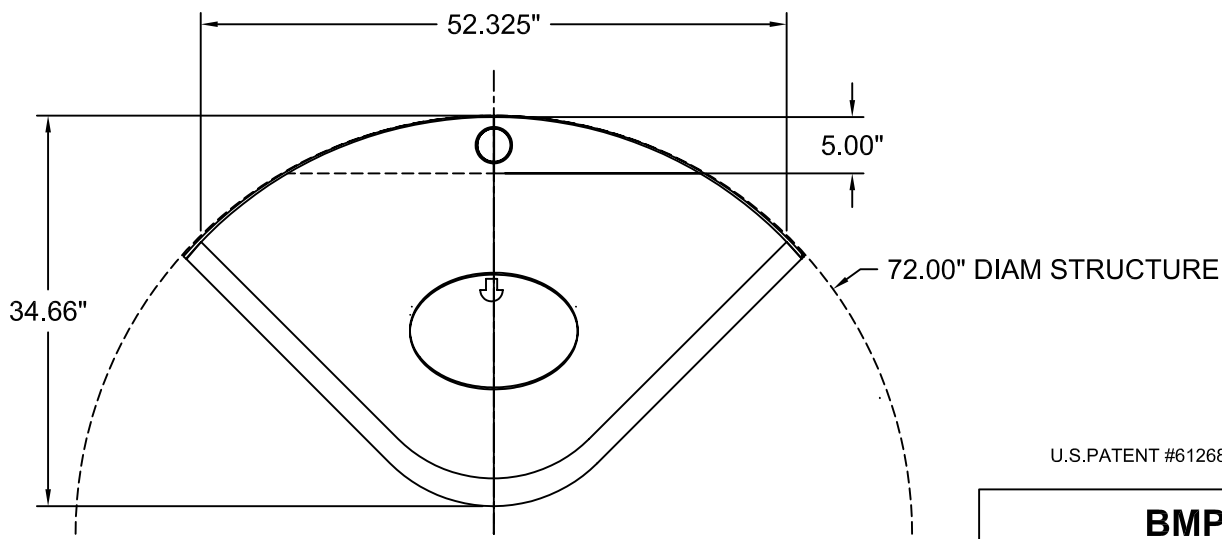
1.5" PVC ANTI-SIPHON
PIPE ADAPTER



FRONT



SECTION



PLAN

DESIGN NOTE: 52RTB/72 IS A 2-PIECE PART FOR
INSTALLATION IN A 72" DIAM. STRUCTURE ONLY

U.S.PATENT #6126817 ADDITIONAL PATENTS PENDING

BMP, INC.

53 MT. ARCHER ROAD, LYME, CT. 06371
(800) 504-8008 FAX: (860)434-3195

DESCRIPTION 52RTB/72 SNOUT OIL & DEBRIS STOP	DATE 03/01/08	SCALE NONE
	DRAWING NUMBER 52RTB/72	