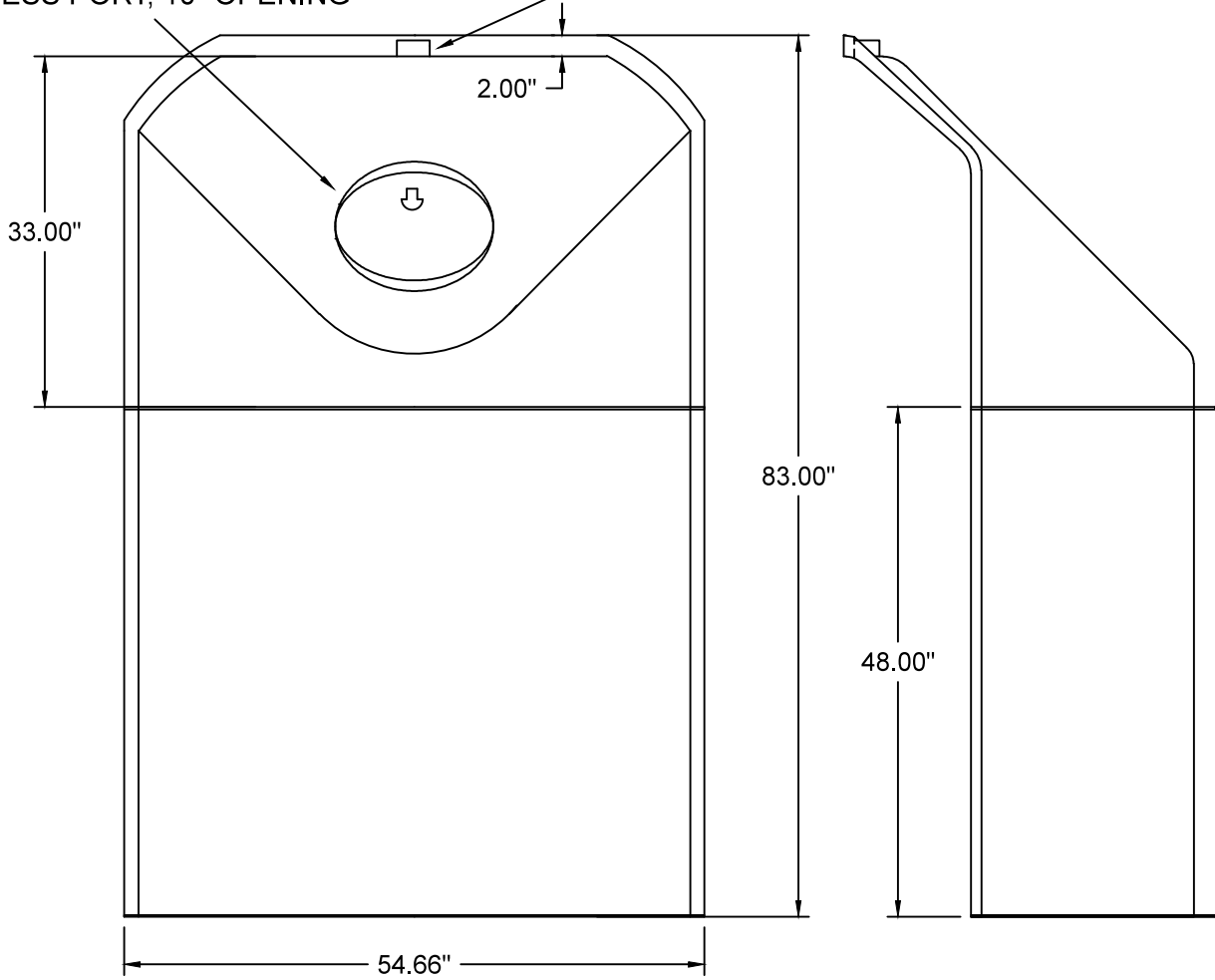


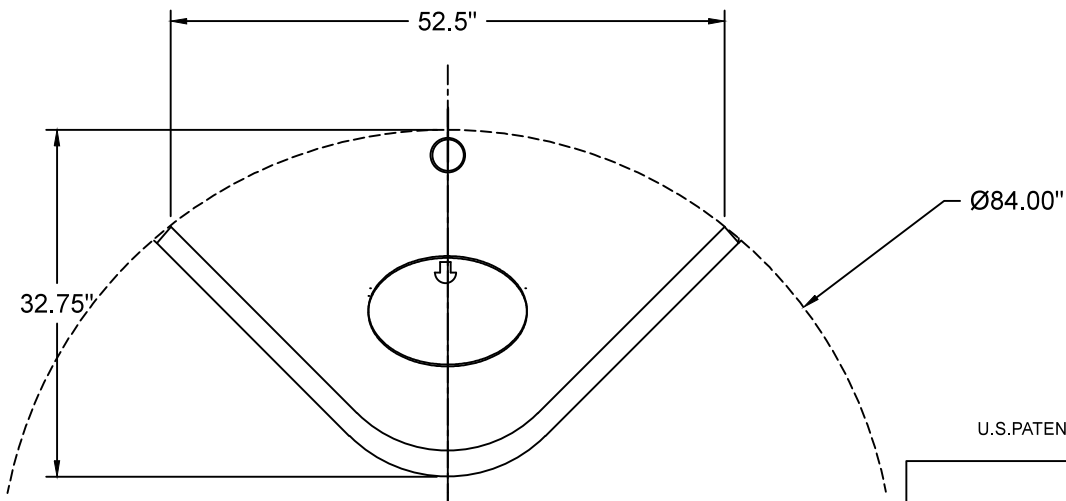
REMOVABLE WATERTIGHT ACCESS PORT, 10" OPENING

1.5" PVC ANTI-SIPHON PIPE ADAPTER



FRONT

SECTION



PLAN

DESIGN NOTE: 52RTB/84 IS A 2-PIECE PART FOR INSTALLATION IN A 84" DIAM. STRUCTURE ONLY

U.S.PATENT #6126817 ADDITIONAL PATENTS PENDING

BMP, INC.		
53 MT. ARCHER ROAD, LYME, CT. 06371 (800) 504-8008 FAX: (860)434-3195		
DESCRIPTION	DATE	SCALE
52RTB/84 SNOOT OIL & DEBRIS STOP	09/01/16	NONE
DRAWING NUMBER		
52RTB/84		