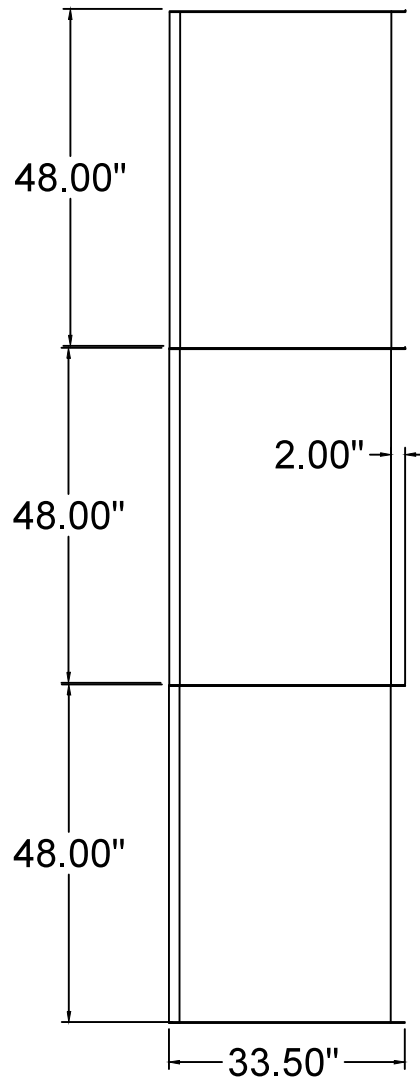


72.00"  
FRONT

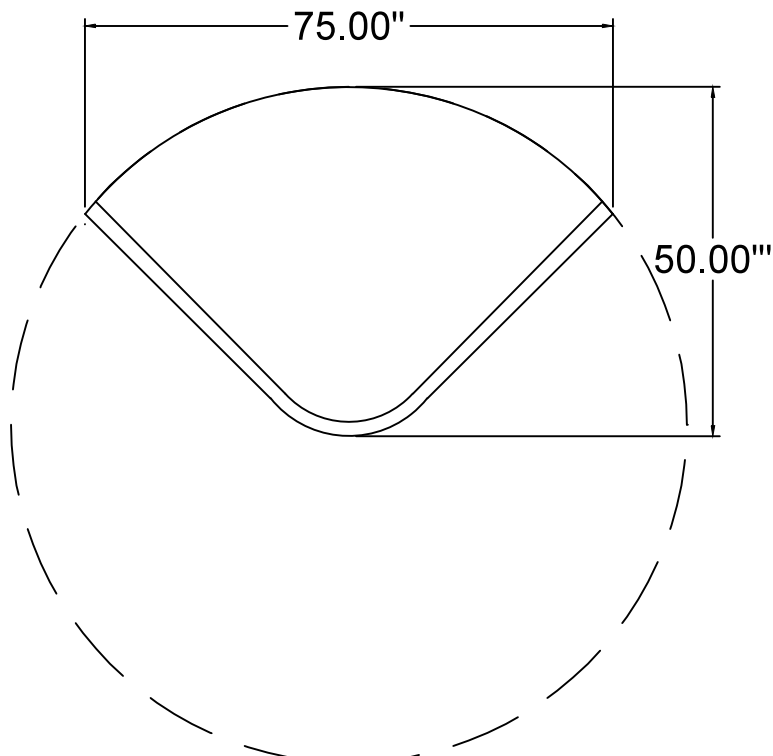


48.00"  
48.00"  
48.00"  
2.00"  
33.50"  
SIDE

HEAVY DUTY SNOOT WITH  
1708 BIAXIAL FIBERGLASS  
REINFORCEMENT

NOTE: FITS 96" ID STRUCTURE ONLY  
(MIN. SUMP DEPTH 2.5X OUTLET PIPE ID)

U.S. PATENT #6126817  
CANADA PATENT #2285146



75.00"  
50.00"  
PLAN

## BMP, INC

53 MT.ARCHER RD., LYME CT 06371  
(800) 504-8008 FAX: (877) 434-3197

DESCRIPTION	DATE	SCALE
HD 72RB/96 SNOOT OIL & DEBRIS STOP BOTTOM ONLY CITY OF EUGENE, OR	12/15/15	NONE
	DRAWING NUMBER	
	72RB/96 HD	