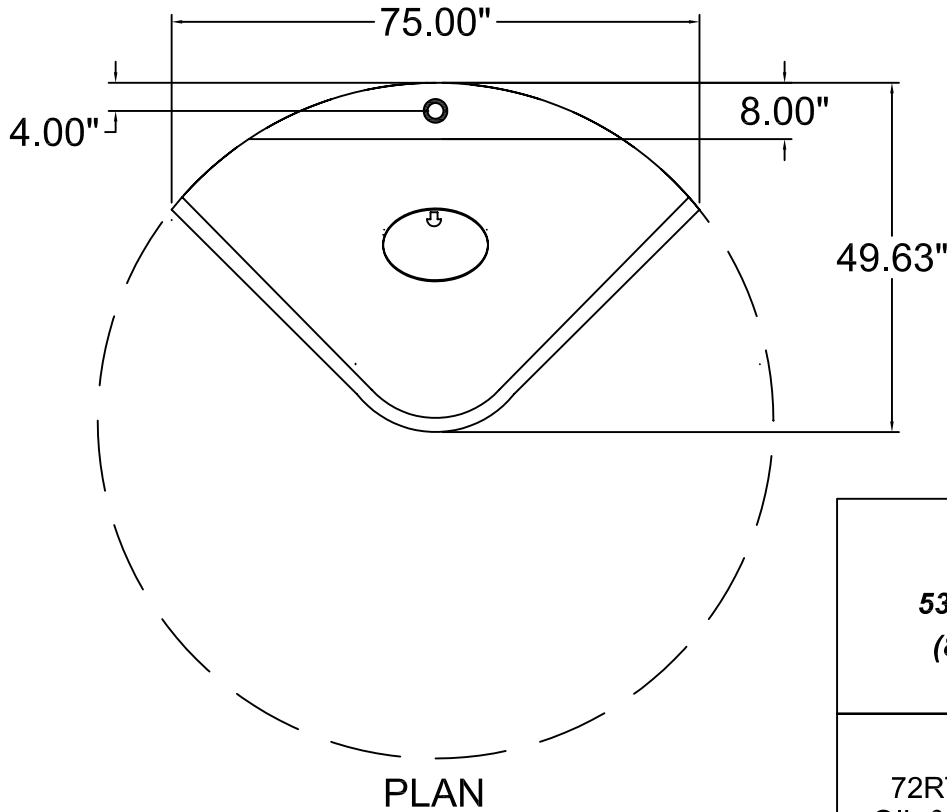
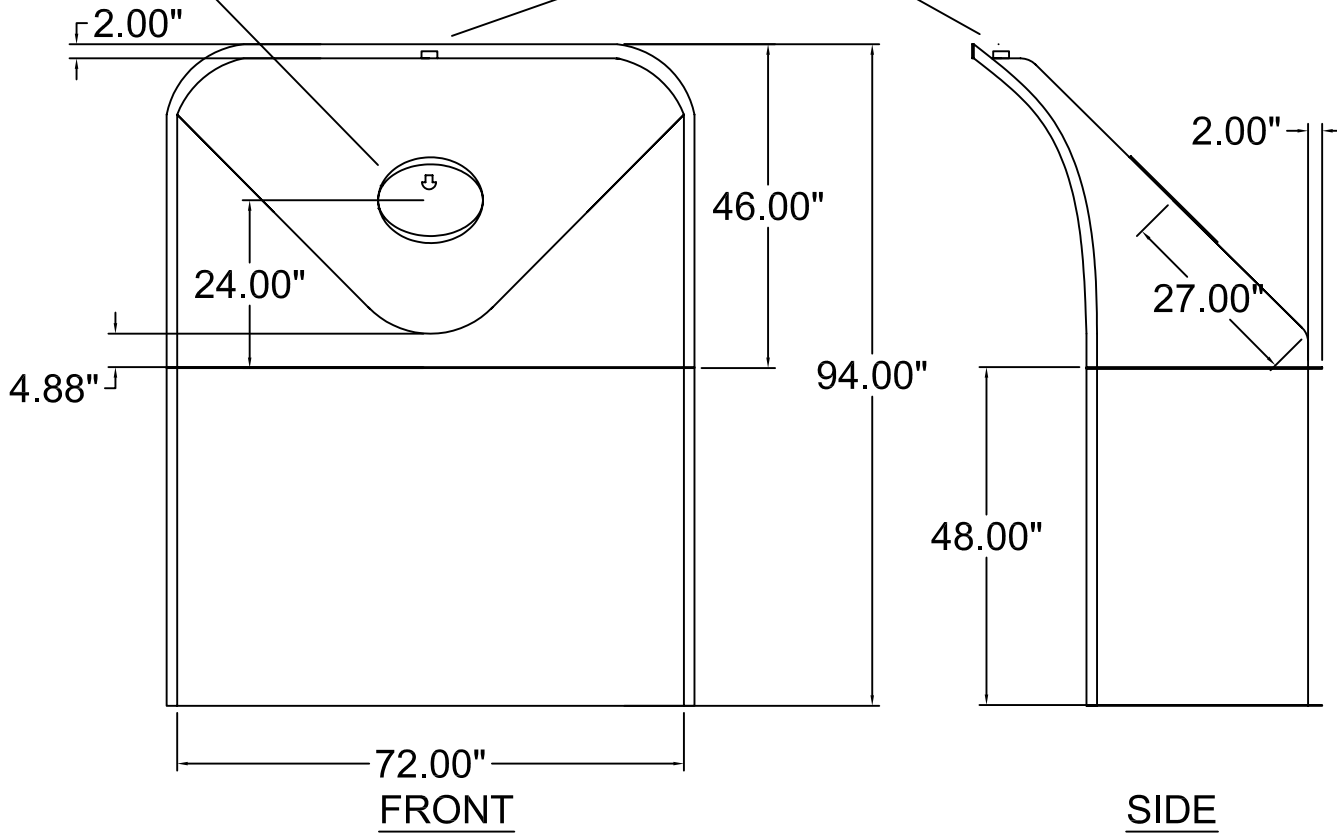


REMOVABLE WATERTIGHT
INSPECTION PORT, 10" OPENING

2" PVC ANTI-SIPHON
PIPE ADAPTER



U.S. PATENT #6126817
CANADA PATENT #2285146

BMP, INC		
53 MT. ARCHER RD., LYME CT 06371 (800) 504-8008 FAX: (877) 434-3197		
DESCRIPTION	DATE	SCALE
72RTB/96 SNOOT OIL & DEBRIS STOP	05/01/08	NONE
	DRAWING NUMBER	
72RTB/96		

NOTE: FITS 96" ID STRUCTURE ONLY
(MIN. SUMP DEPTH 2.5X OUTLET PIPE ID)