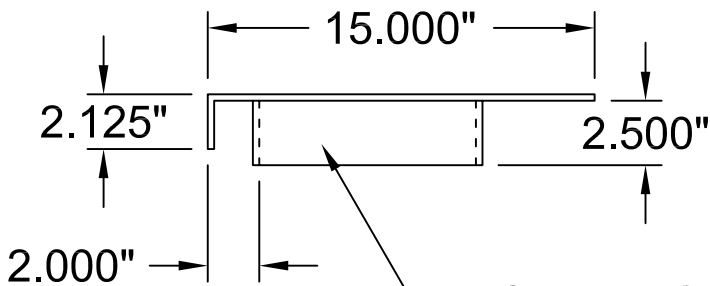


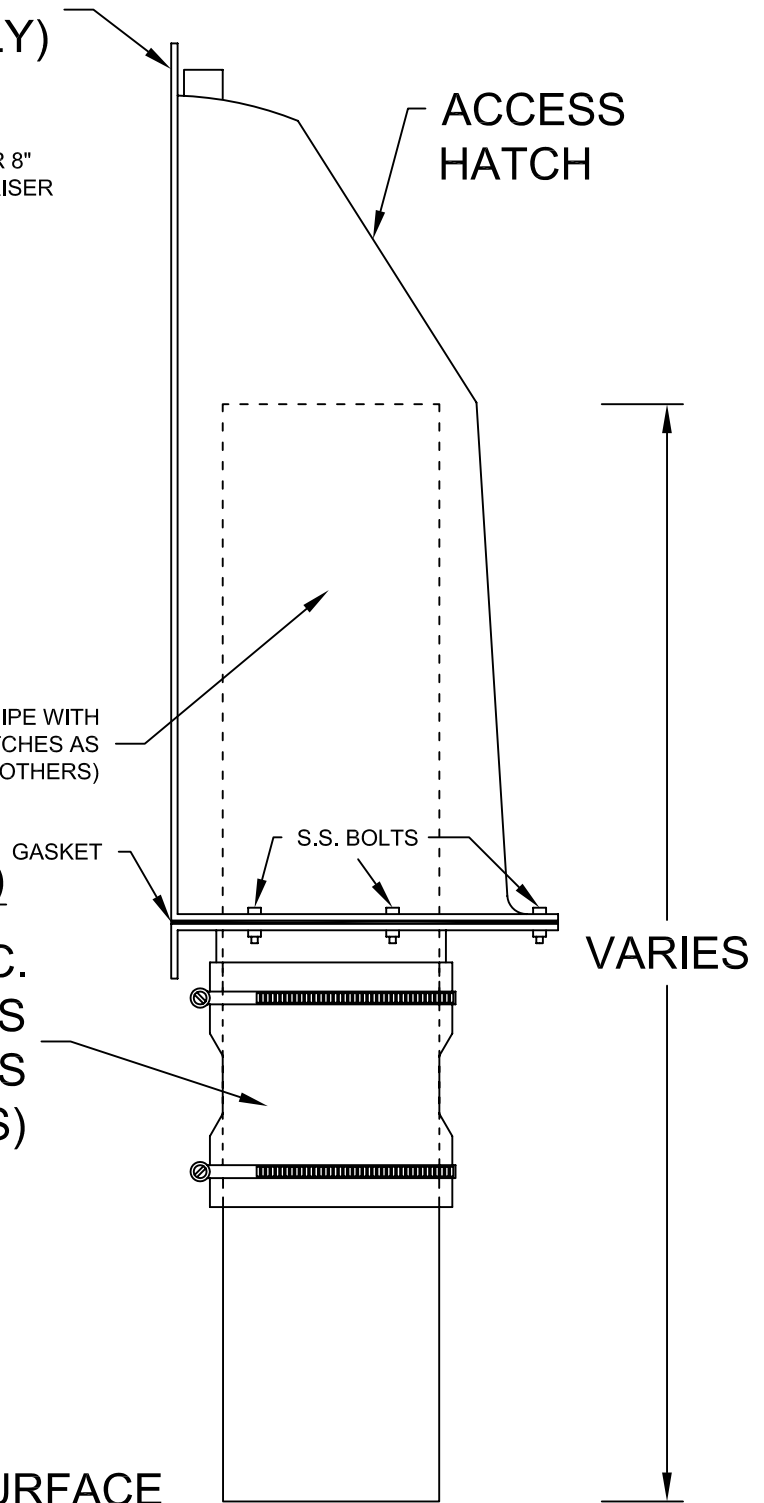
PLAN (RESTRICTOR PLATE ONLY)

8" X 8" FLEXIBLE P.V.C. COUPLING WITH STAINLESS STEEL CLAMPS (BY OTHERS)



MOUNTING SURFACE FOR COUPLING

SIDE (RESTRICTOR PLATE ONLY)



ASSEMBLY VIEW (WITH SNOOT ATTACHED)

U.S. PATENT #6126817 ADDITIONAL PATENTS PENDING

**BMP, INC.**

53 MT. ARCHER ROAD, LYME, CT. 06371  
(800) 504-8008 FAX: (860)434-3195

DESCRIPTION	DATE	SCALE
24F SNOOT WITH FLOW RESTRICTOR	11/30/99	NONE
DRAWING NUMBER		
FR24F		