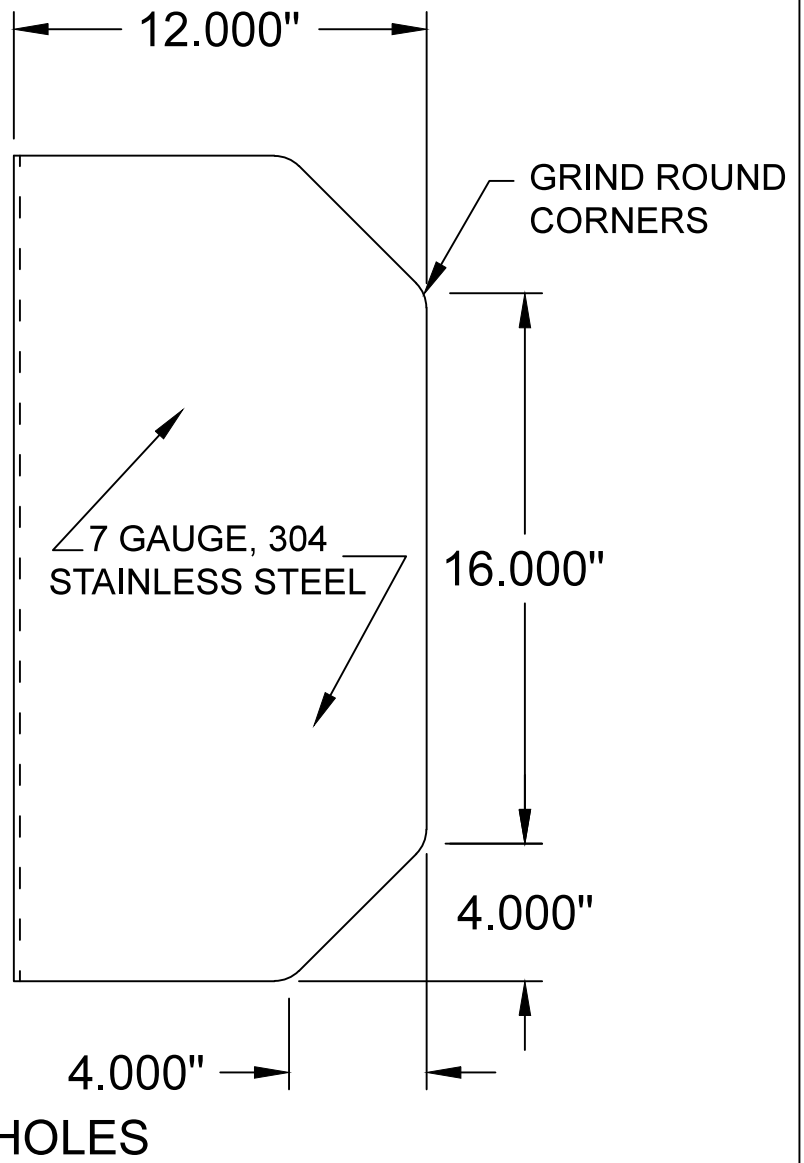
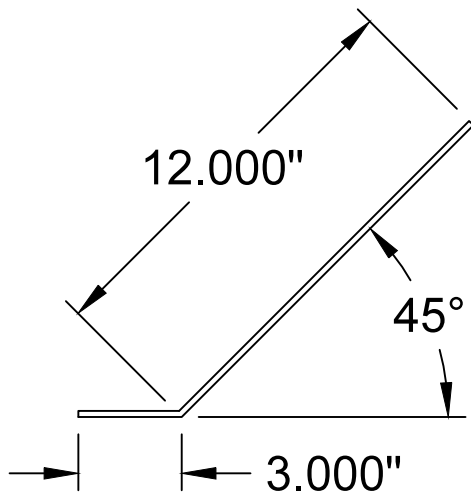


END VIEW



SIDE VIEW



TOP VIEW

U.S. & FOREIGN PATENTS PENDING

**BMP, INC.**

53 MT. ARCHER ROAD, LYME, CT. 06371  
 (860) 434-0277 FAX: (860)434-3195

DESCRIPTION	DATE	SCALE
FLOW DEFLECTOR	12/14/99	NONE
	DRAWING NUMBER FD	