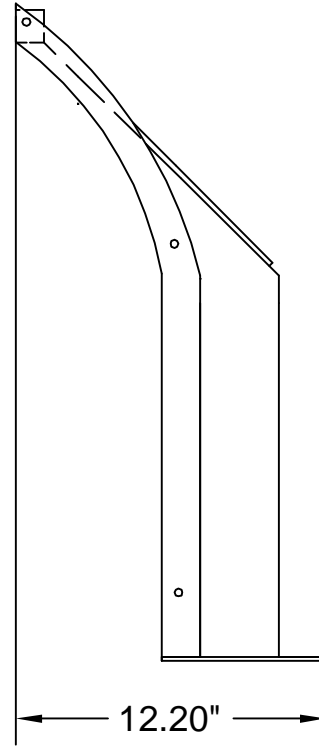
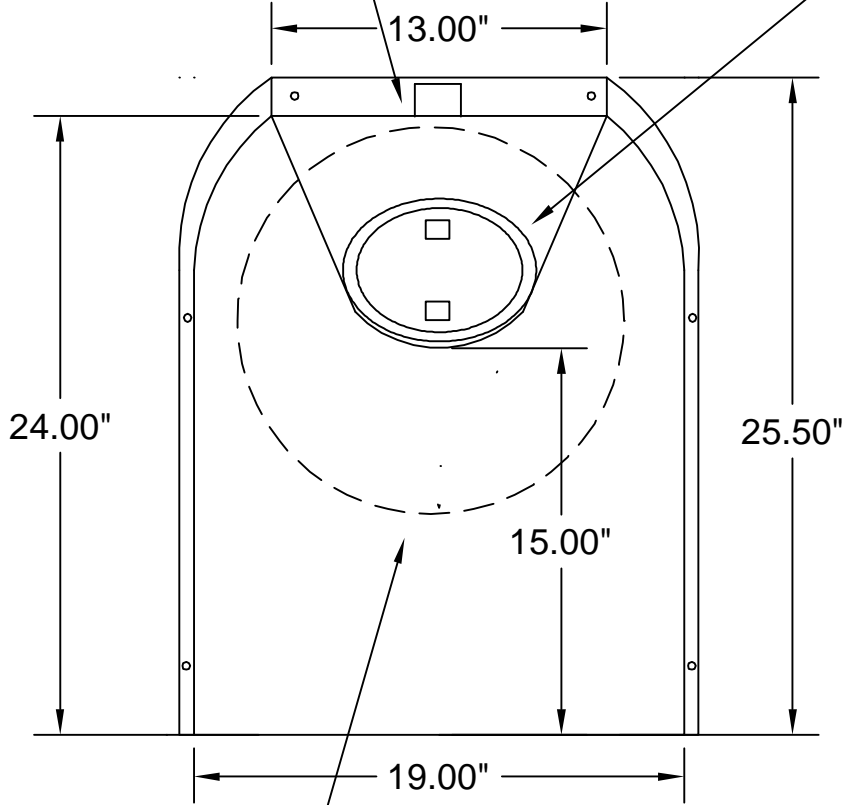


1" PVC ANTI-SIPHON
PIPE ADAPTER

6" WATERTIGHT ACCESS PORT



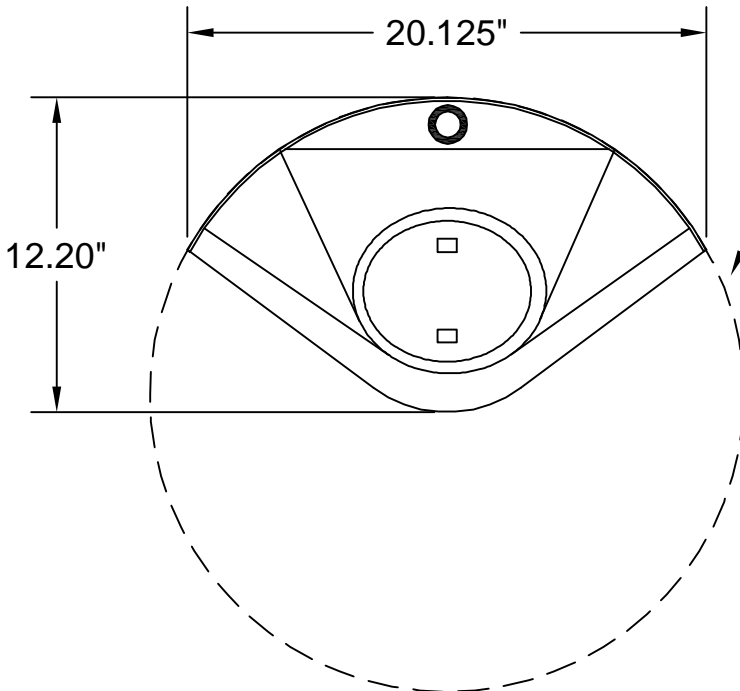
OUTLET PIPE

FRONT

SIDE

ALL FLANGES 1.5"

FOR INSTALLATION IN
24" SDR 35 PVC
CATCHBASIN OR OTHER
SMALL DIAMETER STRUCTURE



PLAN

NOTE:
RECOMMENDED
SUMP DEPTH IS 45".
30" SUMP MINIMUM.

US PATENT #6126817
CANADA PATENT #2285146

BMP, INC.

53 MT. ARCHER ROAD, LYME, CT. 06371
(800) 504-8008 FAX: (860)434-3195

DESCRIPTION	DATE	SCALE
NP1524R SNOUT OIL & DEBRIS STOP	08/08/14	NONE
DRAWING NUMBER NP1524R		