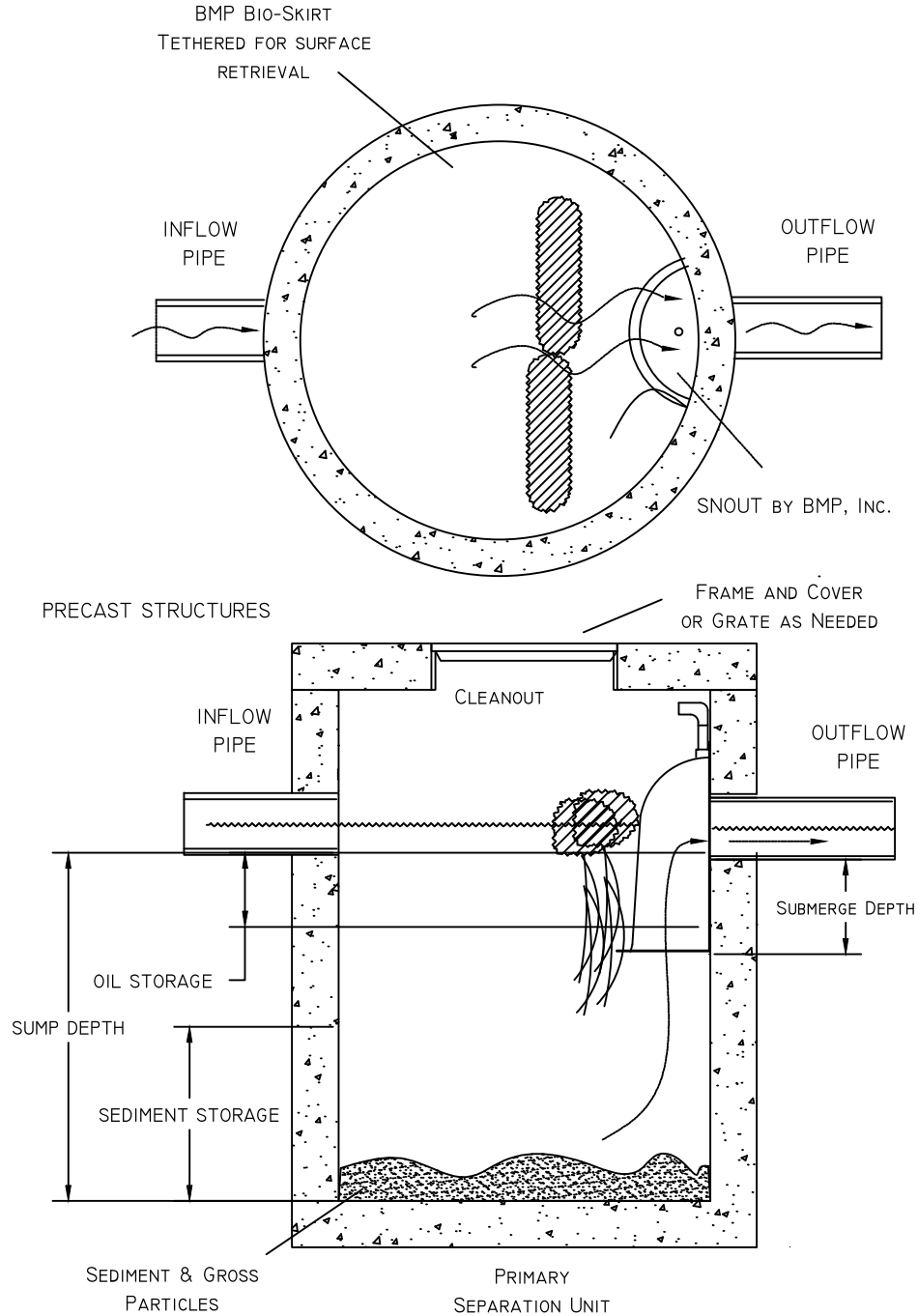


BMP, INC. COMPONENT APPLICATION SNOUT OIL-DEBRIS-DEBRIS SEPARATOR



DESIGN PARAMETERS (EACH STRUCTURE):

SNOUT MODEL: _____
 STRUCTURE DIAM. (INSIDE): _____
 SUMP DEPTH TOTAL/VOL: _____
 SUBMERGE DEPTH: _____
 SEDIMENT STORAGE DEPTH/VOL: _____
 OIL STORAGE DEPTH/VOL: _____
 BIO-SKIRTS: _____

BMP, INC. MANUFACTURES INTERNAL STRUCTURE COMPONENTS ONLY. THE DESIGN SUGGESTIONS ARE PRESENTED FOR INFORMATIONAL PURPOSES ONLY. BMP, INC. MAKES NO WARRANTY EXPRESSED OR IMPLIED AS TO SYSTEM PERFORMANCE. STRUCTURE DESIGNS AND INSTALLATION SHOULD BE CERTIFIED BY A PROFESSIONAL ENGINEER.

BMP, INC. 53 MT. ARCHER ROAD, LYME, CT. 06371 (800) 504-8008 FAX: (860)434-3195 SNOUT U.S.PATENT #6126817		
SINGLE CHAMBER OIL-DEBRIS SEPARATOR	DATE 11/13/07	SCALE NONE
	DRAWING NUMBER SC-SINGLE OIL R	