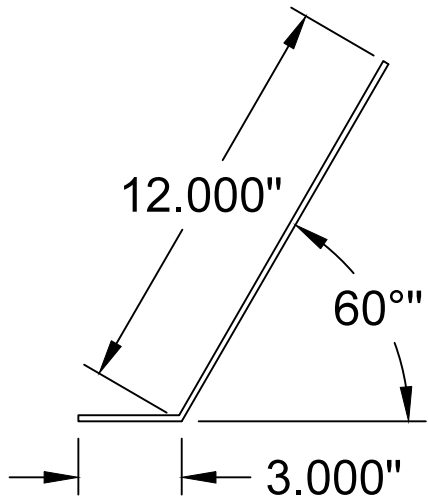


END VIEW

SIDE VIEW



TOP VIEW

U.S. & FOREIGN PATENTS PENDING

BMP, INC.

53 MT. ARCHER ROAD, LYME, CT. 06371
 (860) 434-0277 FAX: (860)434-3195

DESCRIPTION	DATE	SCALE
12 TURBO PLATE 60	11/24/17	NONE
	DRAWING NUMBER TP1260	