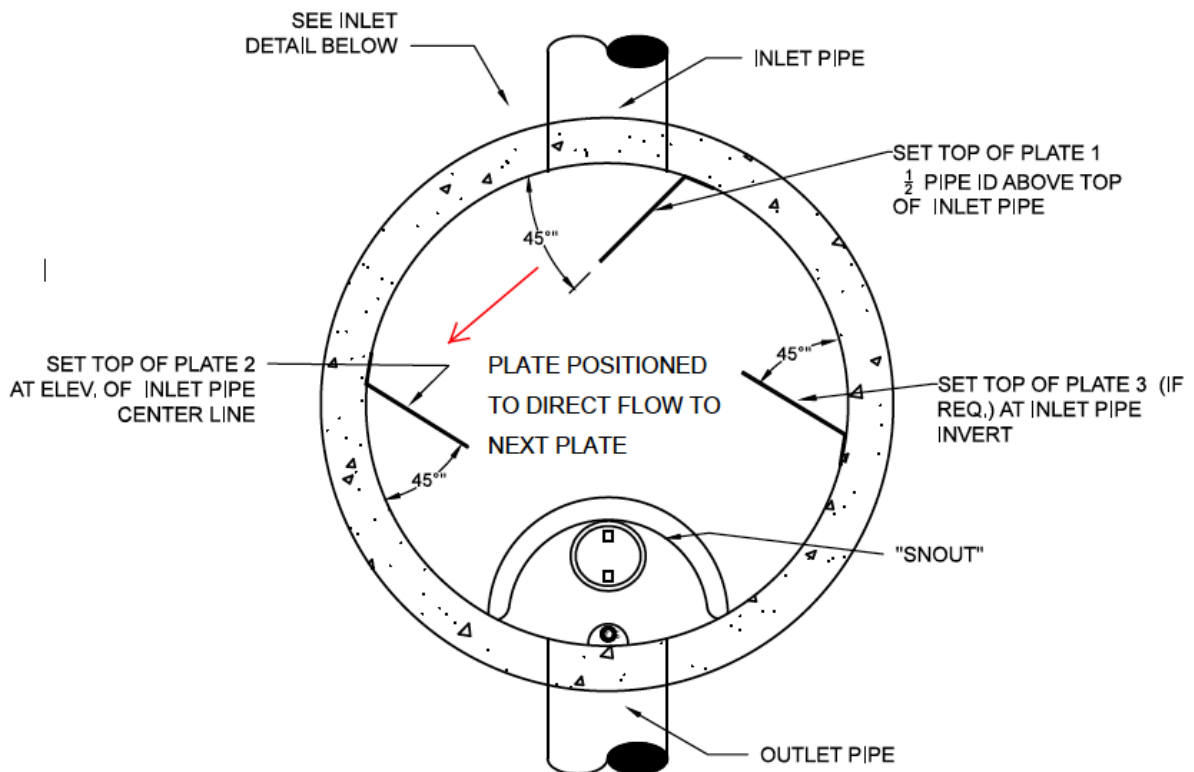


# Best Management Products, Inc.

US and International Patents Pending

## TURBO PLATE INSTALLATION INSTRUCTIONS

1. All Turbo Plates should be positioned vertically such that the mounting flange is perpendicular to the bottom of the structure.
2. The top of the first plate should be placed  $\frac{1}{2}$  of the pipe diameter above the top of the ID of inlet pipe (e.g. if the pipe is 12" ID, place top of plate 6" above inside diameter of pipe).
3. The plates should be oriented in the desired direction of flow, where the first plate directs flow to the second plate.



4. The second plate shall be set at 90 degrees from the inlet pipe where the top of the plate is set at the inlet pipe center line.
5. If a third plate is required, it should be positioned at 270 degrees from the inlet pipe with the top of the plate set at the inlet pipe invert.
6. (Anchor instructions)

NOTE: Please check packing material for entire contents of shipment.

CT Office: 9 Mathews Drive, Unit A1-A2, East Haddam, CT 06423 / 888.434.0277

MD Office: 506 Beck Avenue, Baltimore, MD 21221 / 800-504-8008

[www.bmpinc.com](http://www.bmpinc.com)