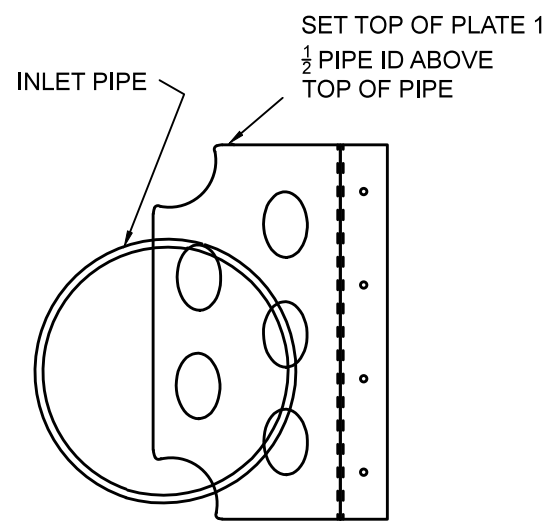


**NOTES:**

1. ALL ANTI-TURBULENCE PLATES (TURBO PLATES) FOR WATER QUALITY STRUCTURES SHALL BE AS MANUFACTURED BY:  
BEST MANAGEMENT PRODUCTS, INC.  
9 MATTHEWS DRIVE UNITS A1-A2  
EAST HADDAM, CT 06423  
(860) 434-0277, (877) 434-3197 FAX  
TOLL FREE: (800) 504-8008  
WEB SITE: [www.bmpinc.com](http://www.bmpinc.com)  
OR PRE-APPROVED EQUAL
2. ALL ANTI-TURBULENCE PLATES SHALL BE CONSTRUCTED OF 7-10 GA. STAINLESS STEEL GRADE T304
3. THE SIZE AND POSITION OF THE PLATES SHALL BE DETERMINED BY OUTLET PIPE SIZE AS PER MANUFACTURER'S RECOMMENDATION (SEE INLET DETAIL).
4. THE TOP OF PLATE 1 ADJACENT TO THE INLET PIPE SHALL BE SET AT 1/2 PIPE ID (OR MIN OF 6") ABOVE THE TOP OF THE INLET PIPE. THE TOP OF PLATE 2 SHALL EXTEND DOWNWARD FROM THE HORIZONTAL CENTERLINE OF THE INLET PIPE. THE TOP OF PLATE 3 (OPTIONAL) SHALL EXTEND DOWNWARD FROM THE INLET PIPE INVERT.
5. THE SURFACE OF THE STRUCTURE WHERE THE PLATES ARE MOUNTED SHALL BE FINISHED SMOOTH AND FREE OF LOOSE MATERIAL.
6. THE PLATES SHALL BE SECURELY ATTACHED TO STRUCTURE WALL WITH 3/8" STAINLESS STEEL BOLTS AS SUPPLIED BY MANUFACTURER. (SEE INSTALLATION DETAIL)
7. THE STRUCTURE IMMEDIATELY UPSTREAM OF ANTI-TURBULENCE PLATE-EQUIPPED STRUCTURE SHALL BE EQUIPPED WITH SUMP AND BMP SNOOT HOOD PER MANUFACTURER'S RECOMMENDATION.
8. INSTALLATION INSTRUCTIONS SHALL BE FURNISHED WITH MANUFACTURER SUPPLIED INSTALLATION KIT.  
INSTALLATION KIT SHALL INCLUDE:  
A. INSTALLATION INSTRUCTIONS  
B. 3/8" STAINLESS STEEL BOLTS  
C. ANCHOR SHIELDS

THE SNOOT IS PROTECTED BY  
US Patent # 6126817 OTHER PATENTS  
PENDING



INLET DETAIL

**SPECIFICATION FOR  
ANTI-TURBULENCE PLATE FOR  
WATER QUALITY STRUCTURES**

DESCRIPTION TURBO PLATE SPECIFICATION AND INSTALLATION (TYPICAL R)	DATE	SCALE
	09/27/17	NONE
DRAWING NUMBER <b>SP-TPR</b>		