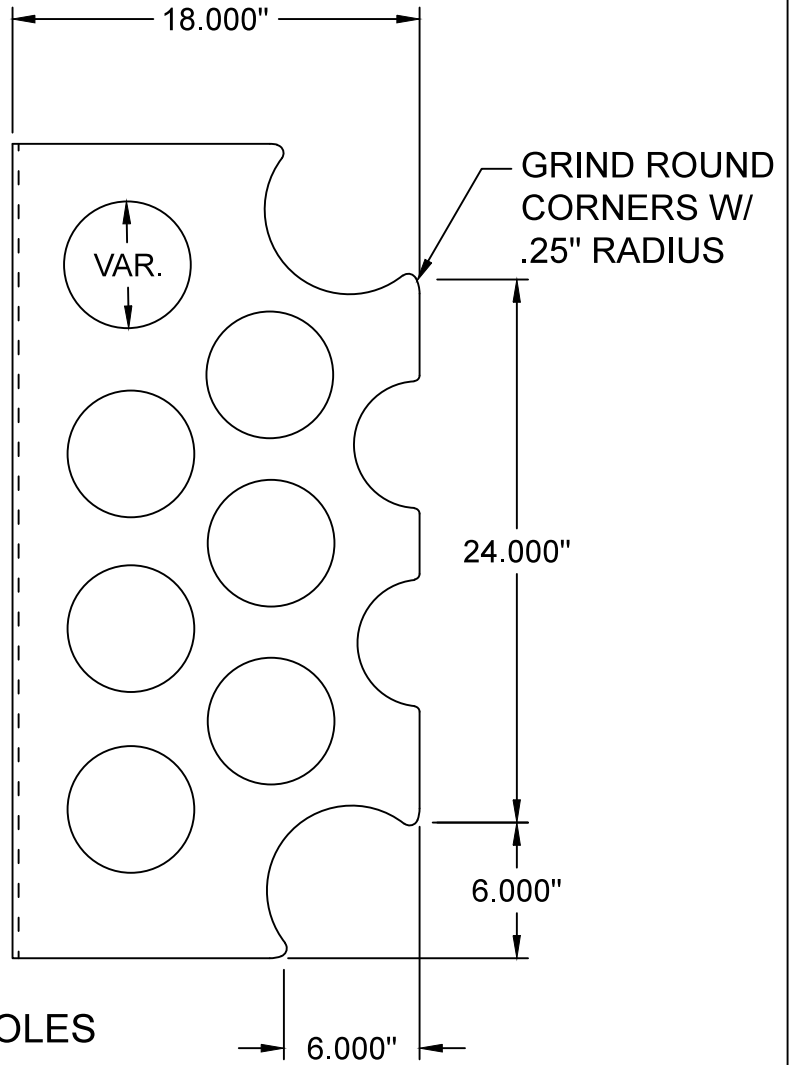
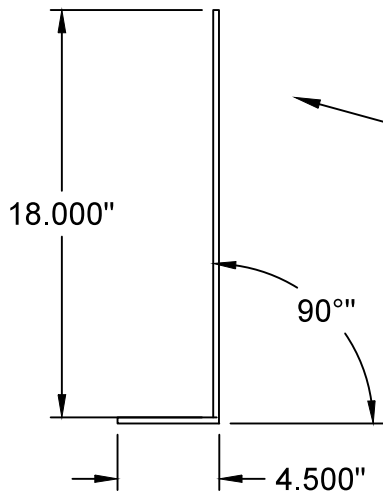


END VIEW



SIDE VIEW



TOP VIEW

7-10 GA. 304 MIN STAINLESS

U.S. & FOREIGN PATENTS PENDING

**BMP, INC.**

53 MT. ARCHER ROAD, LYME, CT. 06371  
(860) 434-0277 FAX: (860) 434-3195

DESCRIPTION	DATE	SCALE
18-90 TURBO PLATE	01/24/19	NONE
	DRAWING NUMBER TP18-90	