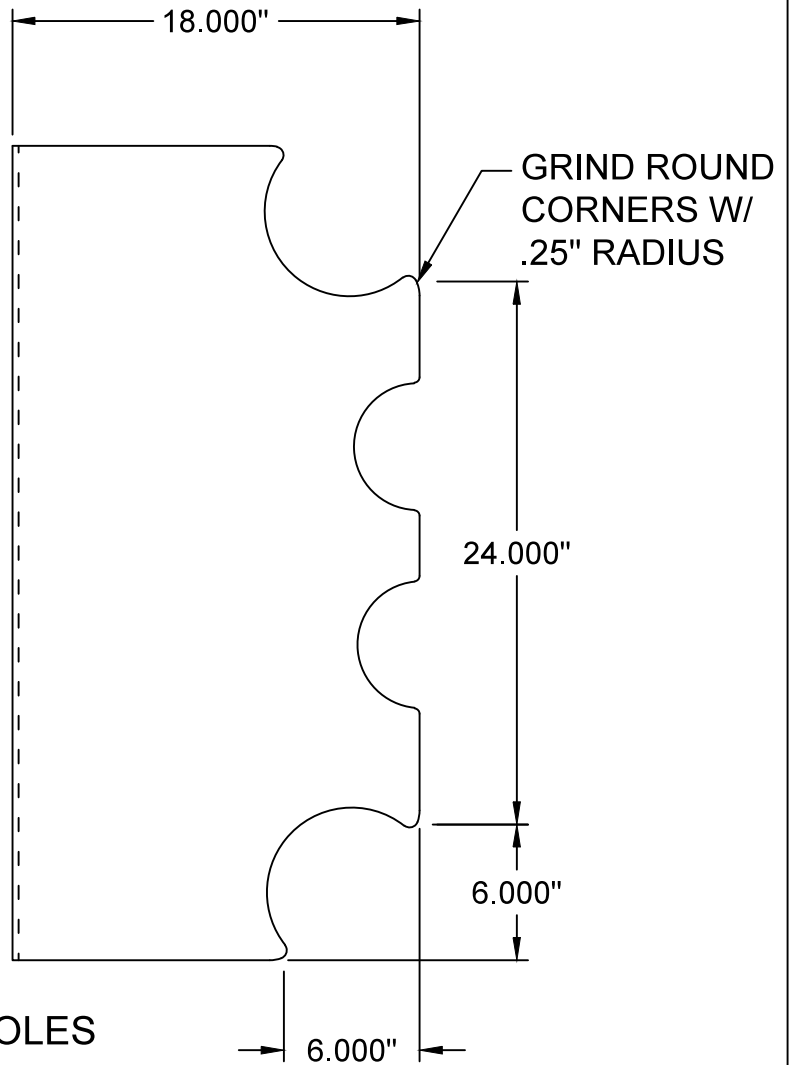
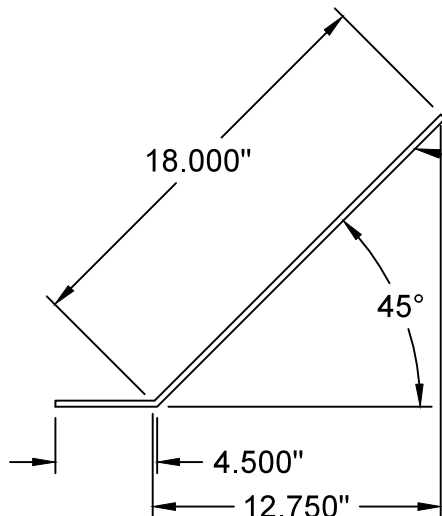


END VIEW



SIDE VIEW



TOP VIEW

SOLID PLATE TO BE USED AT INLET ONLY

7-10 GA. 304 MIN STAINLESS

U.S. & FOREIGN PATENTS PENDING

BMP, INC.

53 MT. ARCHER ROAD, LYME, CT. 06371
(860) 434-0277 FAX: (860) 434-3195

DESCRIPTION	DATE	SCALE
18 TURBO PLATE SOLID	09/24/17	NONE
	DRAWING NUMBER TP18 S	